



**ELECTROLUX HOME PRODUCTS PTY LTD**

**ABN 51 004 762 341**

Technical Publication : WM242

Issue: 02

Date: 09/2010

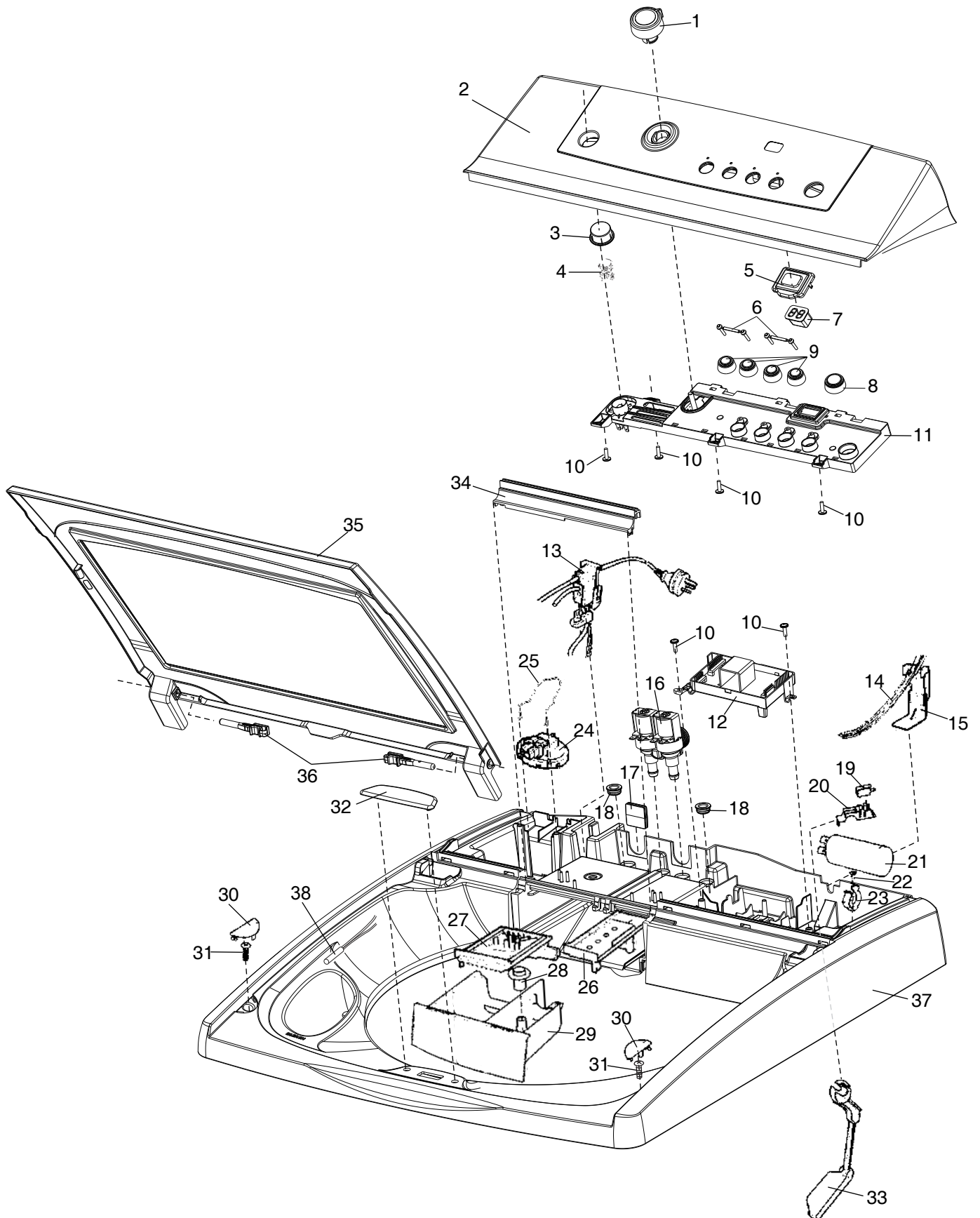
**WEB SITE ADDRESS: [www.partnship.com.au](http://www.partnship.com.au)**

***ELECTROLUX***  
***TOPLOAD WASHING MACHINE***

| SECTION                                  | PAGE NO. |
|--|----------|
| TOP PANEL ASSEMBLY                       | 2 & 3    |
| WRAP ASSEMBLY                            | 4 & 5    |
| SPIN & OUTER BOELS and AGITATOR ASSEMBLY | 6 & 7    |
| TRANSMISSION                             | 8 & 9    |
| SPECIFICATION                            | 10 & 11  |
| WIRING DIAGRAM                           | 12       |

**MODELS:** EWT115 TH  
PNC: 9130410 53  
  
EWT115 EU  
PNC: 9130410 54  
  
EWT115 UK  
PNC: 9130410 55

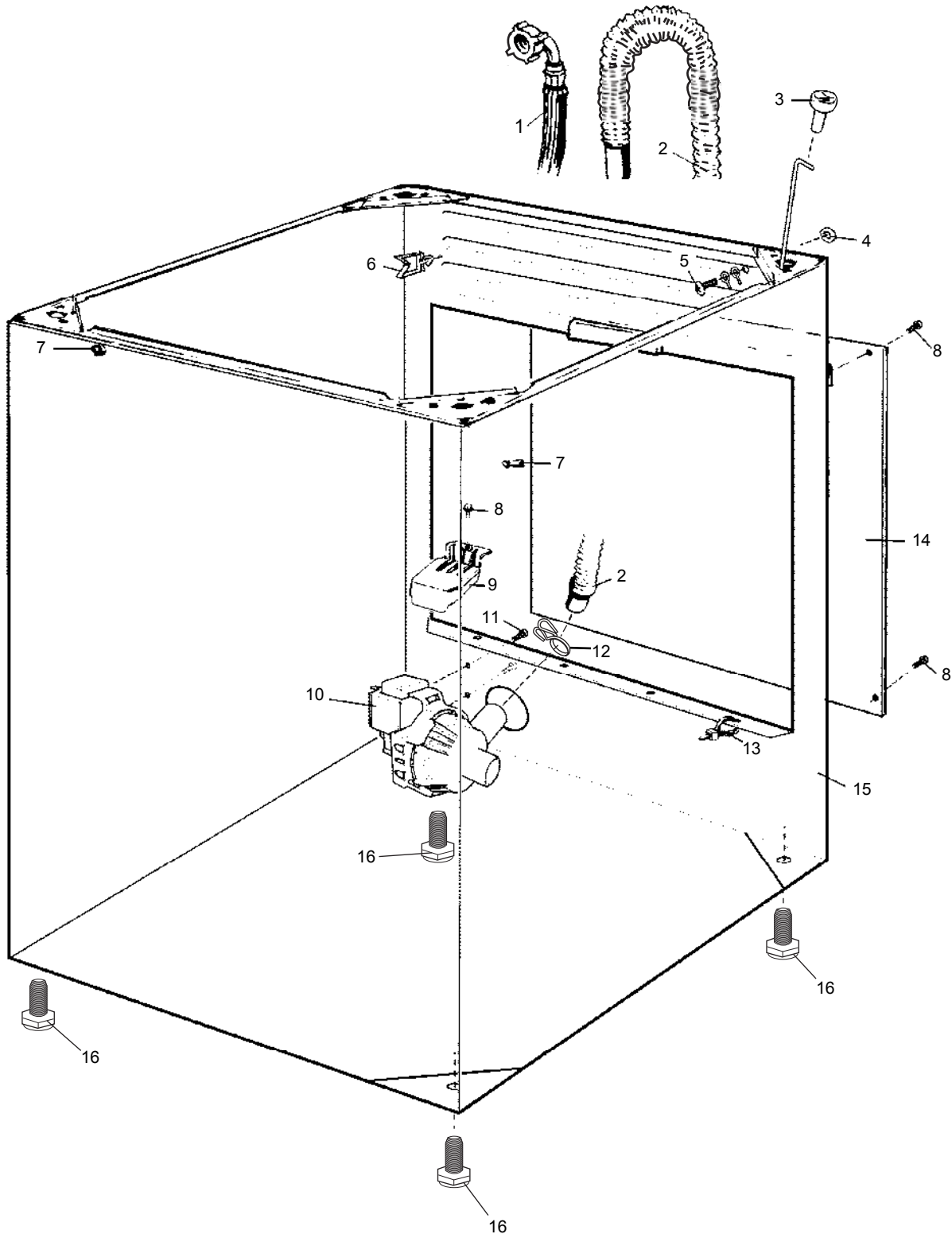
# TOP PANEL ASSEMBLY



MODELS: EWT115TH                      EWT115EU                      EWT115UK  
PNC: 9130410 53                      PNC: 9130410 54                      PNC: 9130410 55

| ITEM | PART NO.  | DESCRIPTION                  | 115TH | 115EU | 115UK |
|------|-----------|------------------------------|-------|-------|-------|
| 1    | 147181960 | KNOB PROGRAM ASSY            | 1     | 1     | 1     |
| 2    | 119602200 | PANEL MTG SWITCH SCREENED    | 1     | 1     | 1     |
| 3    | 119227400 | BUTTON ELECTRONIC ON/OFF     | 1     | 1     | 1     |
| 4    | 119150300 | SPRING BUTTON ON/OFF         | 1     | 1     | 1     |
| 5    | 119246600 | INSERT PROGRESS INDICATOR    | 1     | 1     | 1     |
| 6    | 119246500 | LIGHTPIPE                    | 2     | 2     | 2     |
| 7    | 119227200 | SHIELD ELECTRONIC-7 SEGMENT  | 1     | 1     | 1     |
| 8    | 119375810 | BUTTON PUSH PAD START/PAUSE  | 1     | 1     | 1     |
| 9    | 119375710 | BUTTON PUSH PAD PROGRAM      | 4     | 4     | 4     |
| 10   | 119121900 | SCREW FLANGE 7-19X1/2 HILO   | 6     | 6     | 6     |
| 11   | 119420700 | HSNG INST & CONT ASSY FPU    | 1     | 1     | 1     |
| 12   | 119049720 | HSNG INST&CNT ASSY WMCU      | 1     | 1     | 1     |
| 13   | 119001800 | CABLE MNGMNT ASSY-LGE TH     | 1     |       |       |
|      | 119001810 | CABLE MNGMNT ASSY-LGE EU     |       | 1     |       |
|      | 119001820 | CABLE MNGMNT ASSY-LGE UK     |       |       | 1     |
| 14   | 119381100 | WIRING HARNESS EMC (LGE-IND) | 1     | 1     | 1     |
| 15   | 119226200 | COVER HARNESS                | 1     | 1     | 1     |
| 16   | 119030800 | VALVE INLET DOUBLE 240 50    | 1     | 1     | 1     |
| 17   | 119030700 | VALVE INLET COVER            | 1     | 1     | 1     |
| 18   | 119030900 | VALVE INLET PLUG             | 2     | 2     | 2     |
| 19   | 119020300 | SWITCH KNOCK OFF             | 1     | 1     | 1     |
| 20   | 119260400 | BRACKET-KNOCK OFF SWITCH     | 1     | 1     | 1     |
| 21   | 119011210 | CAPACITOR 14UF/450VAC EUN SU | 1     | 1     | 1     |
| 22   | 119121600 | SCREW PAN PH 7-19*1/2 HILO   | 1     | 1     | 1     |
| 23   | 119120100 | CLAMP CAPACITOR 1439/17/320  | 1     | 1     | 1     |
| 24   | 119015400 | SENSOR PRESSURE              | 1     | 1     | 1     |
| 25   | 119123300 | RETAINER-SWITCH PRESSURE     | 1     | 1     | 1     |
| 26   | 119267400 | SCREEN SOFTENER DISPENSER    | 1     | 1     | 1     |
| 27   | 119267500 | SCREEN DETERGENT DISPENSER   | 1     | 1     | 1     |
| 28   | 119265100 | CAP DISPENSER SOFTENER       | 1     | 1     | 1     |
| 29   | 119406600 | DRAWER DISPENSER ASSEMBLY    | 1     | 1     | 1     |
| 30   | 119246000 | GROMMET PANEL TOP            | 2     | 2     | 2     |
| 31   | 119122600 | SCREW FLG HD NO 8-18ABX1 S/S | 2     | 2     | 2     |
| 32   | 119251700 | FASCIA BLANK WESTINGHOUSE    | 1     | 1     | 1     |
| 33   | 119245300 | LEVER KNOCK OFF              | 1     | 1     | 1     |
| 34   | 119226400 | RETAINER SCREEN DISPENSER    | 1     | 1     | 1     |
| 35   | 119430300 | LID ASSY COMPLETE EWT905     | 1     | 1     | 1     |
| 36   | 119250500 | HINGE PIN LID-WESTINGHOUSE   | 2     | 2     | 2     |
| 37   | 119268510 | PANEL TOP W/H LGE W/SENSOR   | 1     | 1     | 1     |
| 38   | 119002200 | WIRING HARNESS (REED SWITCH) | 1     | 1     | 1     |

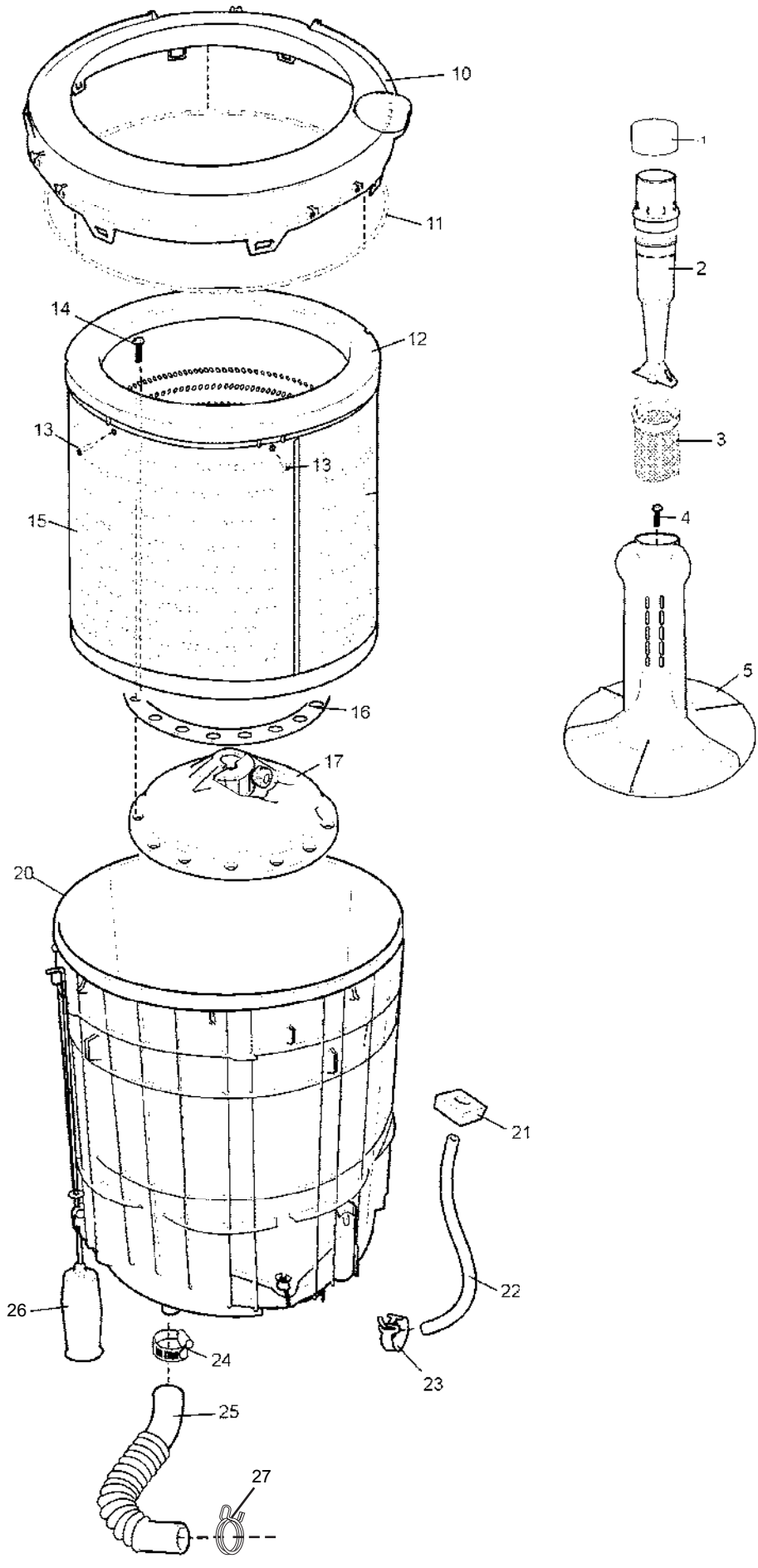
# WRAP ASSEMBLY



MODELS: EWT115TH            EWT115EU            EWT115UK  
PNC: 9130410 53        PNC: 9130410 54        PNC: 9130410 55

| ITEM | PART NO.  | DESCRIPTION                       | 115TH | 115EU | 115UK |
|------|-----------|-----------------------------------|-------|-------|-------|
| 1    | 119417500 | HOSE ASSY INLET COLD              | 1     | 1     | 1     |
| 2    | 119240200 | HOSE DRAIN(PLASTIFLEX)            | 1     | 1     | 1     |
| 3    | 119260200 | CAP ROD SUSPENSION TOP            | 4     | 4     | 4     |
| 4    | 119120600 | M5*0.8 HEX WHIZ LOCK NUT ZC       | 1     | 1     | 1     |
| 5    | 119123000 | SCREW HWH M5*0.8*10               | 1     | 1     | 1     |
| 6    | 119250600 | CLIP CABLE                        | 2     | 2     | 2     |
| 7    | 119121100 | CLIP SPEED NUT                    | 2     | 2     | 2     |
| 8    | 119122400 | SCREW HWH NO.10-16 ABX1/2         | 8     | 8     | 8     |
| 9    | 119226100 | COVER PUMP-TALLBOY                | 1     | 1     | 1     |
| 10   | 119095400 | PUMP DRAIN LEILI - BPX2-105       | 1     | 1     | 1     |
| 11   | 119121400 | SCREW HEX M6X1.0X12 CAPT/W        | 2     | 2     | 2     |
| 12   | 119150500 | CLAMP SPRING PUMP                 | 1     | 1     | 1     |
| 13   | 119280300 | TIE PLASTIC                       | 5     | 5     | 5     |
| 14   | 119145400 | PANEL REAR(L-GALV)                | 1     | 1     | 1     |
| 15   | 119441100 | WRAP CABINET ASSY PAINTED - LARGE | 1     | 1     | 1     |
| 16   | 119401500 | LEG&PAD ASSEMBLY                  | 4     | 4     | 4     |
| N.I. | 119205400 | GREASE NULON L90(WITH TEFLON      | x     | x     | x     |

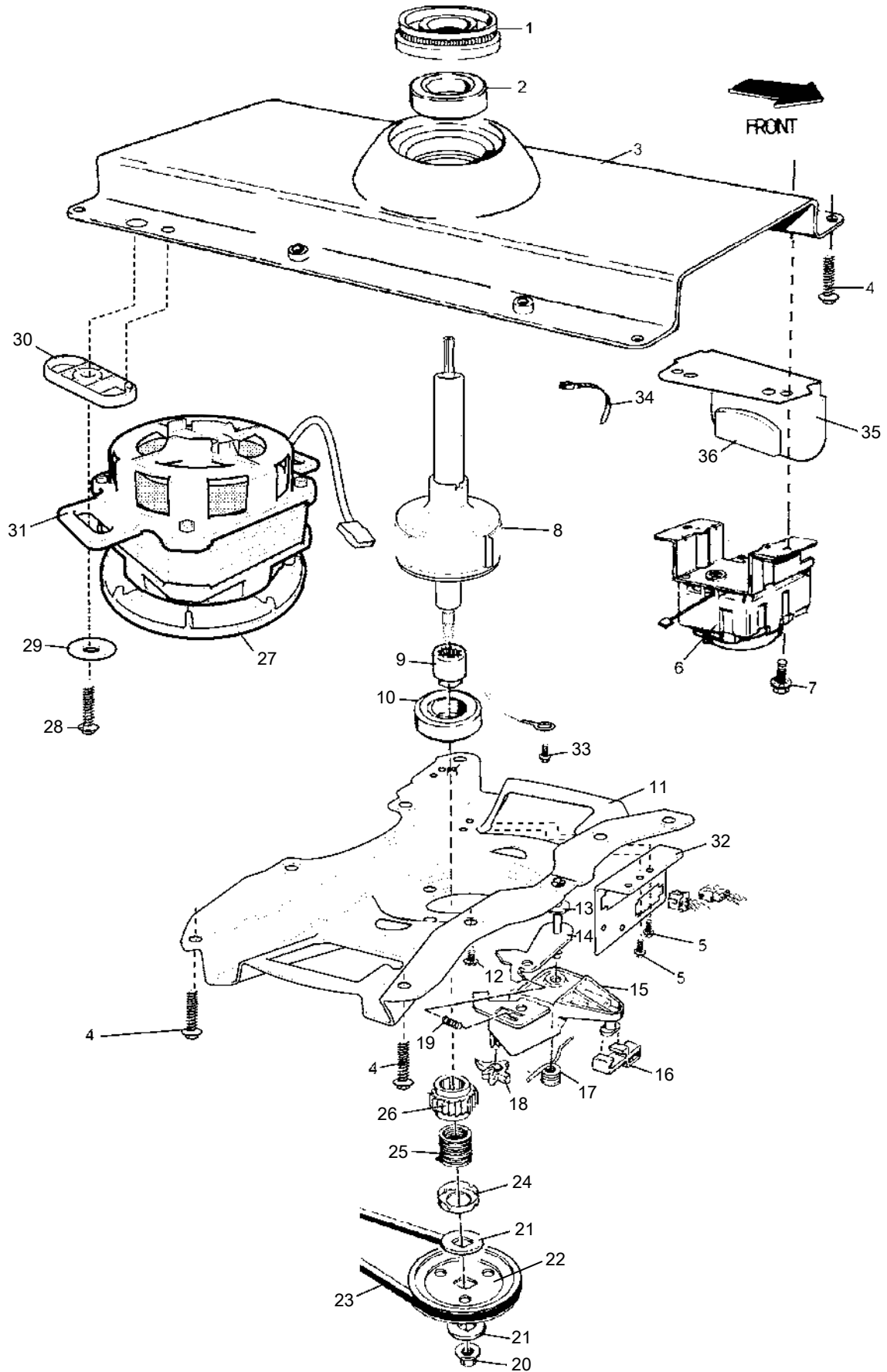
# BOWLS, AGITATOR and MOTOR & GEARBOX ASSY



MODELS: EWT115TH            EWT115EU            EWT115UK  
PNC: 9130410 53    PNC: 9130410 54    PNC: 9130410 55

| ITEM | PART NO.  | DESCRIPTION                  | 115TH | 115EU | 115UK |
|------|-----------|------------------------------|-------|-------|-------|
| 1    | 119270400 | CAP AGITATOR (ELECTROLUX TSL | 1     | 1     | 1     |
| 2    | 119266800 | FRAME FILTER                 | 1     | 1     | 1     |
| 3    | 119422200 | CLAMP,BAG & RING ASSY.       | 1     | 1     | 1     |
| 4    | 119122200 | SCREW M6X20MM 430 S/S        | 1     | 1     | 1     |
| 5    | 119268310 | AGITATOR-LARGE (HOOVER)      | 1     | 1     | 1     |
| 10   | 119401360 | COVER OUTER BOWL&SEAL ASSY   | 1     | 1     | 1     |
| 11   | 119255200 | SEAL COVER OUTER BOWL        | 1     | 1     | 1     |
| 12   | 119412100 | RING BALANCE ASSY LGE.       | 1     | 1     | 1     |
| 13   | 119121500 | SCREW FL HD S/TAPP 6X1/2 S/  | 6     | 6     | 6     |
| 14   | 119122500 | SCREW IND HWH M6*10 S/STEEL  | 8     | 8     | 8     |
| 15   | 119405600 | BOWL SPIN ASSY(DIRECT GEAR)  | 1     | 1     | 1     |
| 16   | 119267300 | GASKET BOWL PLATE SUPPORT(P  | 2     | 2     | 2     |
| 17   | 119400600 | PLATE BOWL SUPPORT ASSY- LA  | 1     | 1     | 1     |
| 20   | 119425500 | BOWL OUTER WELDED ASSY-LGE   | 1     | 1     | 1     |
| 21   | 119385100 | PROTECTOR TUBE AIR DOME      | 3     | 3     | 3     |
| 22   | 119375200 | TUBE AIR DOME (925)          | 1     | 1     | 1     |
| 23   | 119123800 | CLAMP AIR DOME               | 1     | 1     | 1     |
| 24   | 119120200 | CLAMP HOSE-BOWL END          | 1     | 1     | 1     |
| 25   | 119350100 | HOSE BOWL TO PMP(TSLA)4740.  | 1     | 1     | 1     |
| 26   | 119155400 | ROD SUSPENSION ASSY(RED)     | 3     | 3     | 3     |
|      | 119155600 | ROD SUSPENSION ASSY (GREEN)  | 1     | 1     | 1     |
| 27   | 119120400 | CLAMP HOSE DOUBLE SPRING WI  | 1     | 1     | 1     |

# TRANSMISSION ASSEMBLY





MODELS: EWT115TH                      EWT115EU                      EWT115UK  
PNC: 9130410 53                      PNC: 9130410 14                      PNC: 9130410 55

| ITEM | PART NO.  | DESCRIPTION                  | 115TH | 115EU | 115UK |
|------|-----------|------------------------------|-------|-------|-------|
| 1    | 119365100 | SEAL BOWL OUTER              | 1     | 1     | 1     |
| 2    | 119100010 | BEARING UPPER ID 30MM        | 1     | 1     | 1     |
| 3    | 119145500 | FRAME SUPPORT UPPER          | 1     | 1     | 1     |
| 4    | 119123700 | SCREW 1/4-10 X 28 TWINLEAD48 | 10    | 10    | 10    |
| 5    | 119122400 | SCREW HWH NO.10-16 ABX1/2    | 2     | 2     | 2     |
| 6    | 119035610 | MOTOR BRAKE ACTUATOR(LEILI)  | 1     | 1     | 1     |
| 7    | 119122700 | SCREW HWH TAPTITE II M6*1.0* | 2     | 2     | 2     |
| 8    | 119407300 | BOXGEAR&BRAKE BAND ASSY 6.4: | 1     | 1     | 1     |
| 9    | 119110100 | BOSS SPRING CLUTCH(DAE RIM)  | 1     | 1     | 1     |
| 10   | 119100200 | BEARING LOWER                | 1     | 1     | 1     |
| 11   | 119146000 | FRAME SUPPORT LOWER          | 1     | 1     | 1     |
| 12   | 119121700 | SCREW HWH M8*15 DUOTAPTITE   | 4     | 4     | 4     |
| 13   | 119245200 | WASHER TRIGGER               | 1     | 1     | 1     |
| 14   | 119145700 | TRIGGER BRAKE                | 1     | 1     | 1     |
| 15   | 119260700 | LEVER BRAKE MOULDED-IN:DAERI | 1     | 1     | 1     |
| 16   | 119260800 | LINK LEVER BRAKE             | 1     | 1     | 1     |
| 17   | 119150400 | SPRING BRAKE LEVER           | 1     | 1     | 1     |
| 18   | 119261100 | PAWL CLUTCH                  | 1     | 1     | 1     |
| 19   | 119150100 | SPRING BRAKE TRIGGER         | 1     | 1     | 1     |
| 20   | 119120500 | NUT HEX M10 CAPTIVE WASHER   | 1     | 1     | 1     |
| 21   | 119120900 | WASHER PULLEY                | 2     | 2     | 2     |
| 22   | 119411000 | PULLEY DRIVE ASSEMBLY        | 1     | 1     | 1     |
| 23   | 119345100 | BELT MOTOR VEE(M21)          | 1     | 1     | 1     |
| 24   | 119260300 | CAP RATCHET CLUTCH           | 1     | 1     | 1     |
| 25   | 119150200 | SPRING CLUTCH                | 1     | 1     | 1     |
| 26   | 119261000 | RATCHET CLUTCH(CURRENT)      | 1     | 1     | 1     |
| 27   | 119105200 | PULLEY MOTOR MACHINED(WHITE  | 1     | 1     | 1     |
| 28   | 119122800 | SCREW DUOTAPTITE M8X28       | 2     | 2     | 2     |
| 29   | 119120700 | WASHER MOTOR MOUNTING        | 2     | 2     | 2     |
| 30   | 119250700 | SPACER MOTOR                 | 2     | 2     | 2     |
| 31   | 119035100 | MOTOR ELECTRIC-WELLING(JST)  | 1     | 1     | 1     |
| 32   | 119145100 | BRACKET PLUG FOR JST PLUG ME | 1     | 1     | 1     |
| 33   | 119122200 | SCREW HWH M5*0.8*8 TAPTITE   | 1     | 1     | 1     |
| 34   | 119280300 | TIE PLASTIC                  | 2     | 2     | 2     |
| 35   | 119145200 | PANEL BARRIER BRAKE MOTOR    | 1     | 1     | 1     |
| 36   | 119210100 | SEAL-PANEL MOUNTING SWITCH   | 1     | 1     | 1     |

**SPECIFICATION**

MODELS: EWT115TH      EWT115EU      EWT115UK  
PNC: 9130410 53    PNC: 9130410 54    PNC: 9130410 55

| <b>Product Specifications</b>                   |                                    |
|---|------------------------------------|
| Model Number                                    | EWT115TH, EWT115EU, EWT115UK       |
| PNC   | 9130410 53, 9130410 54, 9130410 55 |
| Brand   | ELECTROLUX                         |
| Washing Group                                   | Extra Large                        |
| Capacity Real (Kg)                              | 11.0                               |
| <b>Design</b>                                   |                                    |
| Lid Type  | Solid                              |
| Lid Color                                       | White                              |
| Lid Material                                    | ABS                                |
| Lid Lock System                                 | No                                 |
| Lid Removeable                                  | Yes                                |
| Cabinet Type                                    | Curve Front Type                   |
| Cabinet Material                                | Galvanized Steel Painted           |
| Cabinet Color                                   | White                              |
| Spin Tub Type                                   | Large                              |
| Spin Tub Material                               | Stainless Steel                    |
| Agitator Type                                   | Large Plastic                      |
| Detergent Dispenser                             | Drawer                             |
| Bleach Dispenser                                | Worktop                            |
| Fabric Conditioner Dispenser                    | Drawer                             |
| Lint Filter                                     | Built in Agitator                  |
| Bottom Cover                                    | Yes                                |
| <b>Control</b>                                  |                                    |
| Control Panel Color                             | White                              |
| Control Panel Material                          | ABS                                |
| Control Panel Printing                          | Pad Printing                       |
| Selector Type                                   | Electronic Rotary                  |
| Display   | Yes                                |
| Type of Display                                 | LED Digits                         |
| Wash Cycle Progress Indicator                   | Yes                                |
| Lid Lock Indicator                              | No                                 |
| <b>Feature</b>                                  |                                    |
| Drive System                                    | Belt Drive                         |
| Rinsing System                                  | Deep Rinse/Eco Rinse               |
| Recirculation System (Extra Water Save Feature) | No                                 |
| Unbalance Control System                        | Knock Off                          |
| Water Temperature Selection                     | No                                 |
| Buzzer  | Yes                                |
| <b>Technical Specifications</b>                 |                                    |
| Product Dimension (HxWxD)                       | 1070 x 670 x 680                   |
| Voltage (V)                                     | 220-240                            |
| Frequency (Hz)                                  | 50                                 |
| Water Supply                                    | Cold                               |
| Inlet Valve Type (Cold Water)                   | Dual Valve                         |
| Inlet Valve Type (Hot Water)                    | None                               |
| Inlet Hose Length (Cm)                          | 130                                |
| Drain Hose Length (Cm)                          | 175                                |
| Service Cord Length (Cm)                        | 180                                |
| Motor Type                                      | Induction Motor                    |
| Max Spin Speed (RPM)                            | 850                                |
| V-Belt Length                                   | 559                                |

**SPECIFICATION**

MODELS: EWT115TH            EWT115EU            EWT115UK  
PNC: 9130410 53    PNC: 9130410 54    PNC: 9130410 55

| <b>Technical Specifications</b>    |                                |
|------------------------------------|--------------------------------|
| Wash Performance Standard          | JIS                            |
| Water Consumption (l)              | 235                            |
| Electrical Safety Standard         | IEC                            |
| <b>Packaging</b>                   |                                |
| Packing Type                       | Cardboard Carton               |
| Dimension Packed (HxWxD)           | 1120 x 718 x 768               |
| Packed Weight (Kg)                 | 54                             |
| Instruction Manual                 | English+Thai+Vietnam+Indonesia |
| Warranty Card                      | English+Thai                   |
| No. of units per container 40' HCC | 90                             |
| No. of units per container 20' HCC | 42                             |
| <b>Push Button Function</b>        |                                |
| Power On/Off                       | Yes                            |
| Start/Pause                        | Yes                            |
| Rinse Option                       | Yes (Extra/Deep/Eco)           |
| Wash Load                          | Yes                            |
| Wash Temp.                         | No                             |
| Soil Level                         | No                             |
| Spin Speed                         | No                             |
| Favourite                          | No                             |
| Soak                               | Yes                            |
| Delay                              | Yes                            |

# WIRING DIAGRAM

MODELS: EWT115TH      EWT115EU      EWT115UK  
 PNC: 9130410 53    PNC: 9130410 54    PNC: 9130410 55

