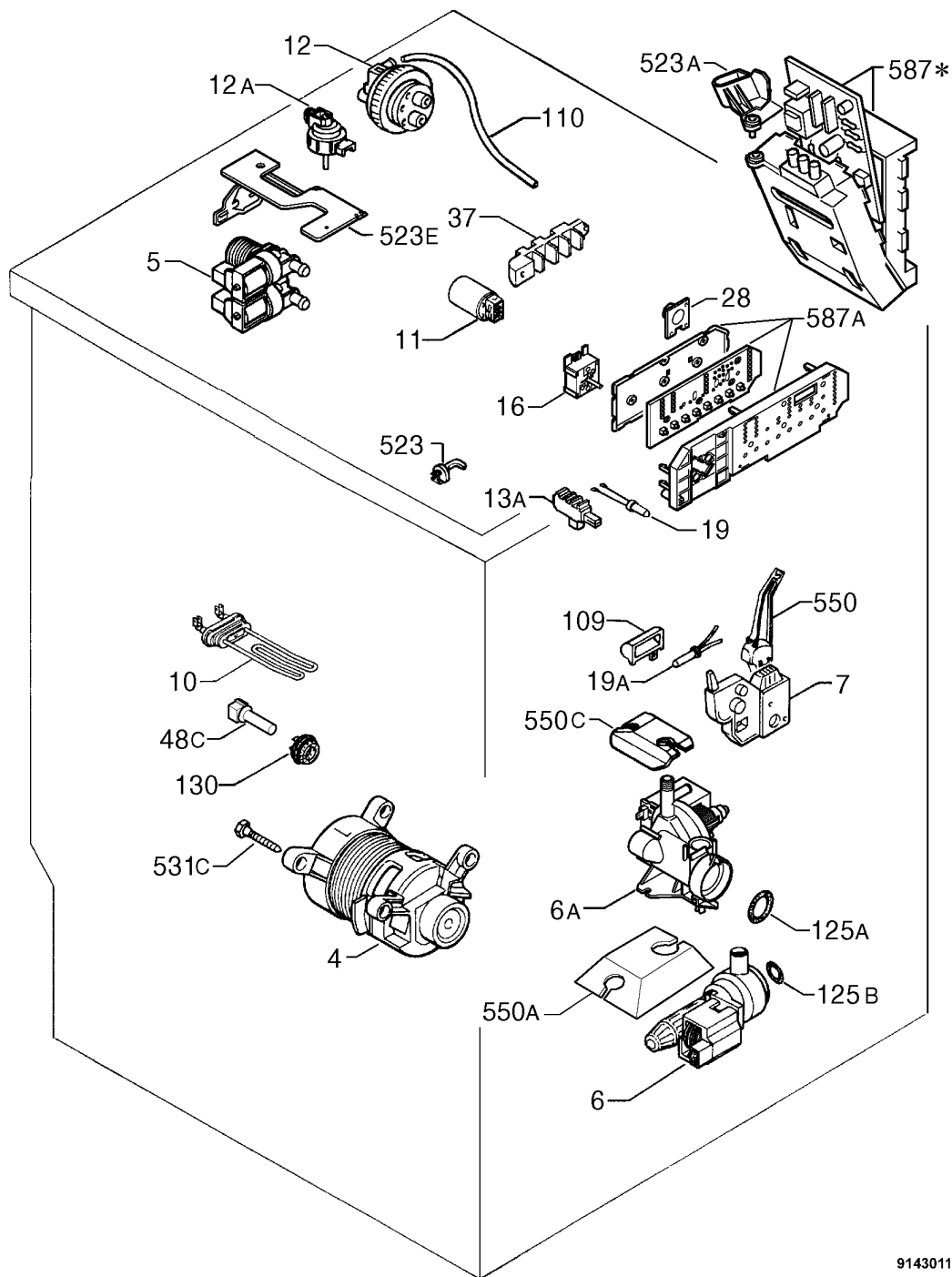


	<b>PNC</b>	<b>Brand</b>	<b>Model</b>	<b>Market</b>
A	914601814	Electrolux	EW1289W	ID - TH - VN

	Washing machines, front-loaded	
Electrolux-Zanussi Corso Lino Zanussi I - 33080 Porcia Italy Fax +39 (0)434 394096		Publ.No. <b>599351558</b> <b>2002/3/20</b> ZP



9143011833

**ATTENZIONE !** La scheda non è configurata. Per la configurazione utilizzare il cod. 990 (non è un ricambio).

**IMPORTANT!** No configuration has been performed on the PCB. For its configuration please use the code no. 990 (it is not a spare part).

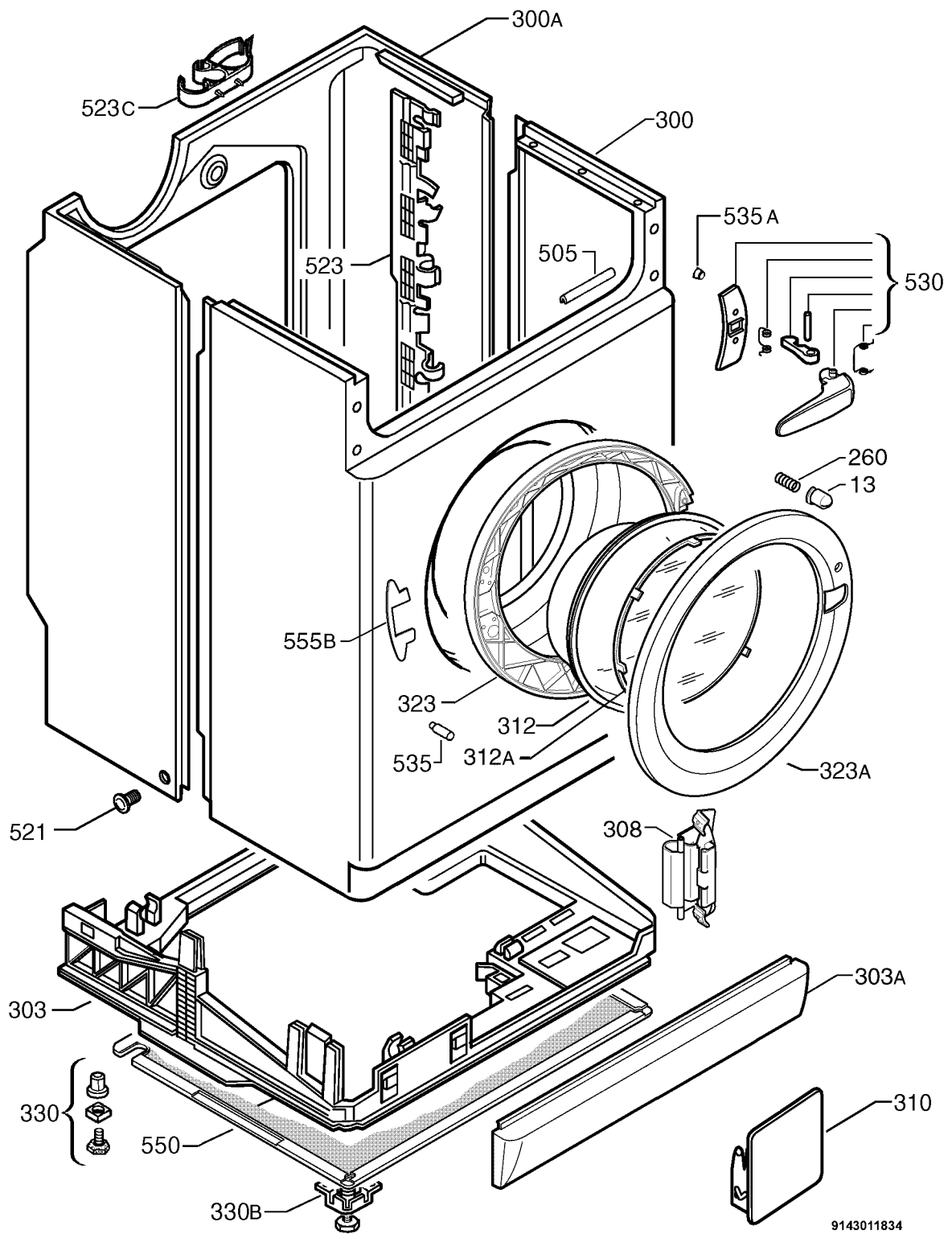
\* **ACHTUNG!** Die Elektronik wurde nicht konfiguriert. Die Konfiguration wird durch die Code 990 ausgeführt (es andelt sich nicht um ein Ersatzteil).

**ATTENTION!** le module électronique n'a pas été configuré. Pour sa configuration utiliser le code 990 (il ne s'agit pas d'une pièce de rechange).

<b>PNC</b>	<b>Model</b>
A 914601814	EW1289W

Pos	Part No.		Description
004	1242 13 904 / 4	A	commutator motor,1150 SOLE
005	1249 47 211 / 7	A	electric valve,3VIE WD AF ELBI
006	1242 52 940 / 0	A	drain pump,+prot ASKOLL
006A	1240 79 410 / 5	A	recirculation pump,ASKOLL 220/240V-50Hz
007	1249 67 512 / 3	A	delaying device,porthole
010	1240 32 540 / 5	A	heater,1950W-230V IRCA
011	1240 34 360 / 6	A	filter,anti-interference
012	1320 82 290 / 9	A	pressure switch,safety heater,AE+AE ELBI
012A	1320 90 301 / 4	A	pressostat,analogic
013A	1249 27 140 / 2	A	keyboard
016	1320 50 100 / 8	A	Programme selector,24P DREEF
019	50223 81 100 / 6	A	control lamp
019A	50252 62 900 / 6	A	control lamp,porthole
028	1249 67 100 / 7	A	acoustic indicator
037	1240 20 930 / 2	A	cable block
048C	1242 94 000 / 3	A	Probe,temperature,NTC SIEMENS
109	1245 84 800 / 5	A	Holder,Lamp,door lock
110	1249 01 660 / 9	A	assembly,hoses,pressure switch,WD HIGH PERFORM.
125A	1240 15 310 / 4	A	locking ring,connector,Pump
125B	50221 74 700 / 4	A	locking ring,o-ring,Pump,(29,82)
130	1243 99 800 / 0	A	sealing sleeve,Sensor
523	1247 09 400 / 4	A	receptacle,Cable,Container cup
523A	1243 03 602 / 5	A	bracket,Case,card,EWM
523E	1242 65 220 / 2	A	bracket,cable block,Capacitor
531C	1240 22 200 / 8	A	Screw,main motor,bob
550	1240 07 510 / 9	A	Protection,delayer,porthole
550A	1245 89 500 / 6	A	guard,drain pump
550C	1245 89 523 / 8	A	guard,recirculation pump,SOLE
587	1321 22 160 / 6	A	assembly,electronic module,not configured,WD AC EWI
587A	1320 03 536 / 1	A	assembly,user interface board,EWM2001
990	1321 13 540 / 0	A	configuration,BF1CB0A2973EB6AE
999	1241 10 500 / 4	A	Harness
	1241 39 640 / 5	A	Harness
	1249 01 231 / 9	A	supply cable,2000x3x1'5
	1249 33 110 / 7	A	Harness,FLAT CABLE
	1249 33 130 / 5	A	Harness,FLAT CABLE
	1249 33 140 / 4	A	Harness,acoustic indicator
	1249 61 721 / 6	A	Harness
	1249 62 900 / 5	A	Harness
	1249 63 540 / 8	A	Harness
	1320 20 130 / 2	A	Harness
	1320 20 240 / 9	A	Harness
	1320 20 500 / 6	A	Harness
	1320 20 860 / 4	A	Wiring

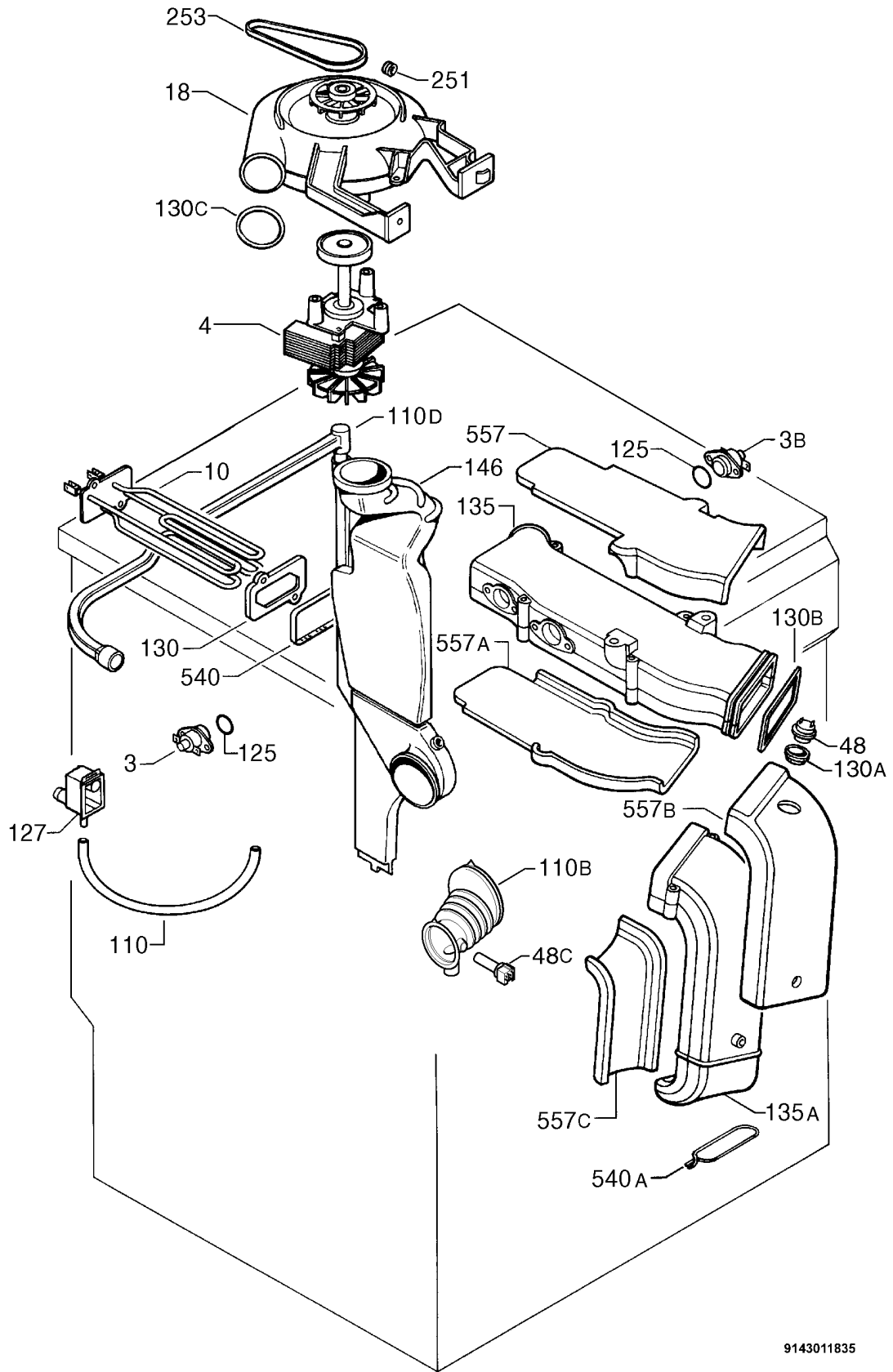
999	1320 20 910 / 7	A	Harness
	1320 21 500 / 5	A	Harness,earth
	1320 30 700 / 0	A	Harness
	1321 03 800 / 0	A	bracket,receptacle,pressure switch



9143011834

<b>A</b>	<b>PNC</b> 914601814	<b>Model</b> EW1289W
----------	-------------------------	-------------------------

<b>Pos</b>	<b>Part No.</b>		<b>Description</b>
013	1320 16 300 / 7	A	Push button,safety,porthole
260	1240 67 312 / 7	A	Spring,safety,porthole
300	1320 05 536 / 9	A	cabinet,front,white,P63S BIG DOOR
300A	1242 87 440 / 0	A	cabinet,back,white,P62/3/5Z-V/B
303	1245 81 354 / 6	A	stand,P63
303A	1247 22 401 / 5	A	Base
308	1320 04 405 / 8	A	assembly,Hinge,porthole,NEAT
310	1242 75 801 / 7	A	sieve flap
312	1320 02 201 / 3	A	glass,porthole
312A	1320 19 101 / 6	A	Canopy,porthole,NEAT A/S
323	1321 04 811 / 6	A	a-frame,back,porthole door,WD BD DELTA/3
323A	1320 53 401 / 7	A	Bezel,porthole,front,BD/AS 7801
330	1321 36 400 / 0	A	assembly,Foot,back,20mm
330B	1245 26 420 / 3	A	assembly,Foot,front,30mm
505	1249 02 910 / 7	A	decoration,cabinet
521	1246 44 500 / 9	A	Bung,clamp,cabinet
523	1247 29 416 / 6	A	mount,hoses,Harness
523C	1245 32 000 / 5	A	bracket,hoses,Back panel
530	50269 55 200 / 1	A	Kit,handle,porthole,BD ALFA/SENSA
535	1240 07 140 / 5	A	diffuser,control lamp,porthole,C050
535A	1242 38 600 / 9	A	diffuser,Lamp,Door catch
550	1247 18 803 / 8	A	coat,stand
555B	1320 16 001 / 1	A	decor plate,cabinet,BD 7801
999	1321 06 501 / 1	A	fixing bracket,glass,porthole
	1329 94 160 / 1	A	Instruction book,(en-th-vi-in)
	50269 22 500 / 4	A	Kit,transport

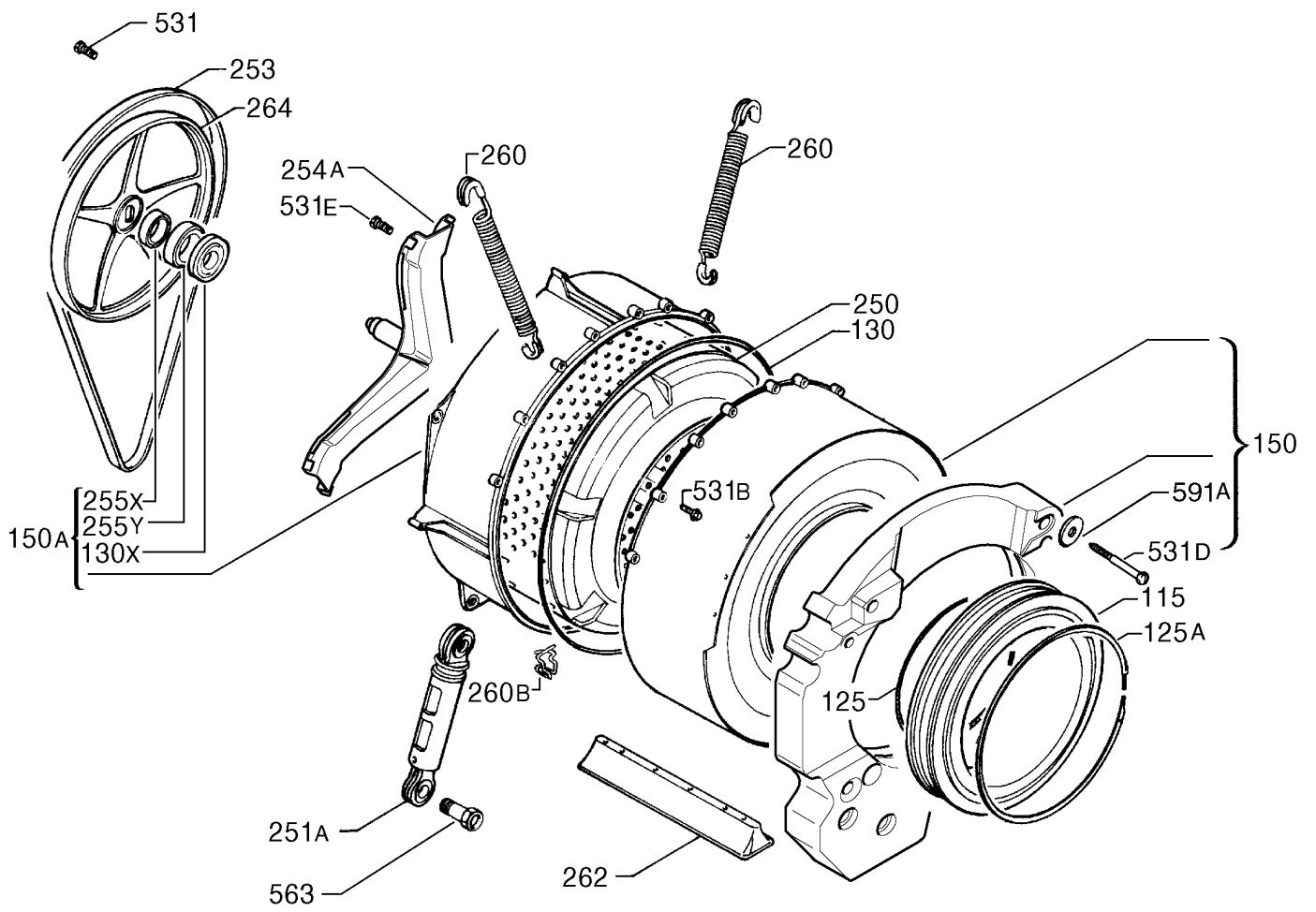


9143011835

<b>A</b>	<b>PNC</b> 914601814	<b>Model</b> EW1289W
----------	-------------------------	-------------------------

<b>Pos</b>	<b>Part No.</b>		<b>Description</b>
003	1242 70 200 / 7	A	Temperature cut-out,150°C
003B	1242 72 650 / 1	A	temperature regulator,110/94 ELTH
004	1321 14 000 / 4	A	fan motor,230/240V 50Hz
010	1242 65 880 / 3	A	heater,230V 1000+1000W
018	1320 70 900 / 7	A	Radial blower,WD BD
048	1246 64 100 / 3	A	temperature probe,130C CROUZET NTC
048C	1242 94 000 / 3	A	Probe,temperature,NTC SIEMENS
110	1240 30 500 / 1	A	Hose,Solenoid,connector
110B	1321 06 610 / 0	A	connecting sleeve,Capacitor,tub
110D	1321 03 200 / 3	A	vent hose,Capacitor
125	50241 41 000 / 5	A	O-ring,thermostat
127	1247 09 302 / 2	A	air break,WD/MED.
130	1242 63 604 / 9	A	sealing sleeve,heater element,Channel drainage
130A	1240 88 402 / 1	A	gasket,temperature regulator,feeler
130B	1242 66 200 / 3	A	sealing sleeve,Duct,Case
130C	1242 66 210 / 2	A	blower seal,Case,heater element
135	1321 07 300 / 7	A	assembly,Case,heater,WD BD
135A	1321 07 400 / 5	A	assembly,Duct,front,WD BD
146	1321 03 300 / 1	A	assembly,Capacitor,vertical,WD BD
251	1247 74 000 / 2	A	Rubber buffer,Ventilare
253	1240 82 740 / 0	A	belt,blower,WD BD
540	1242 63 001 / 8	A	fixing clamp,warm insulation,Channel drainage,L=305
	1242 63 010 / 9	A	fixing clamp,warm insulation,Channel drainage,L=370
540A	1242 72 910 / 9	A	fixing clamp,Duct,rubber bellow
557	1321 03 400 / 9	A	warm insulation,upper,Channel drainage
557A	1321 03 500 / 6	A	warm insulation,bottom,Channel drainage
557B	1321 03 600 / 4	A	warm insulation,Duct,front
557C	1321 03 700 / 2	A	warm insulation,Channel drainage,back

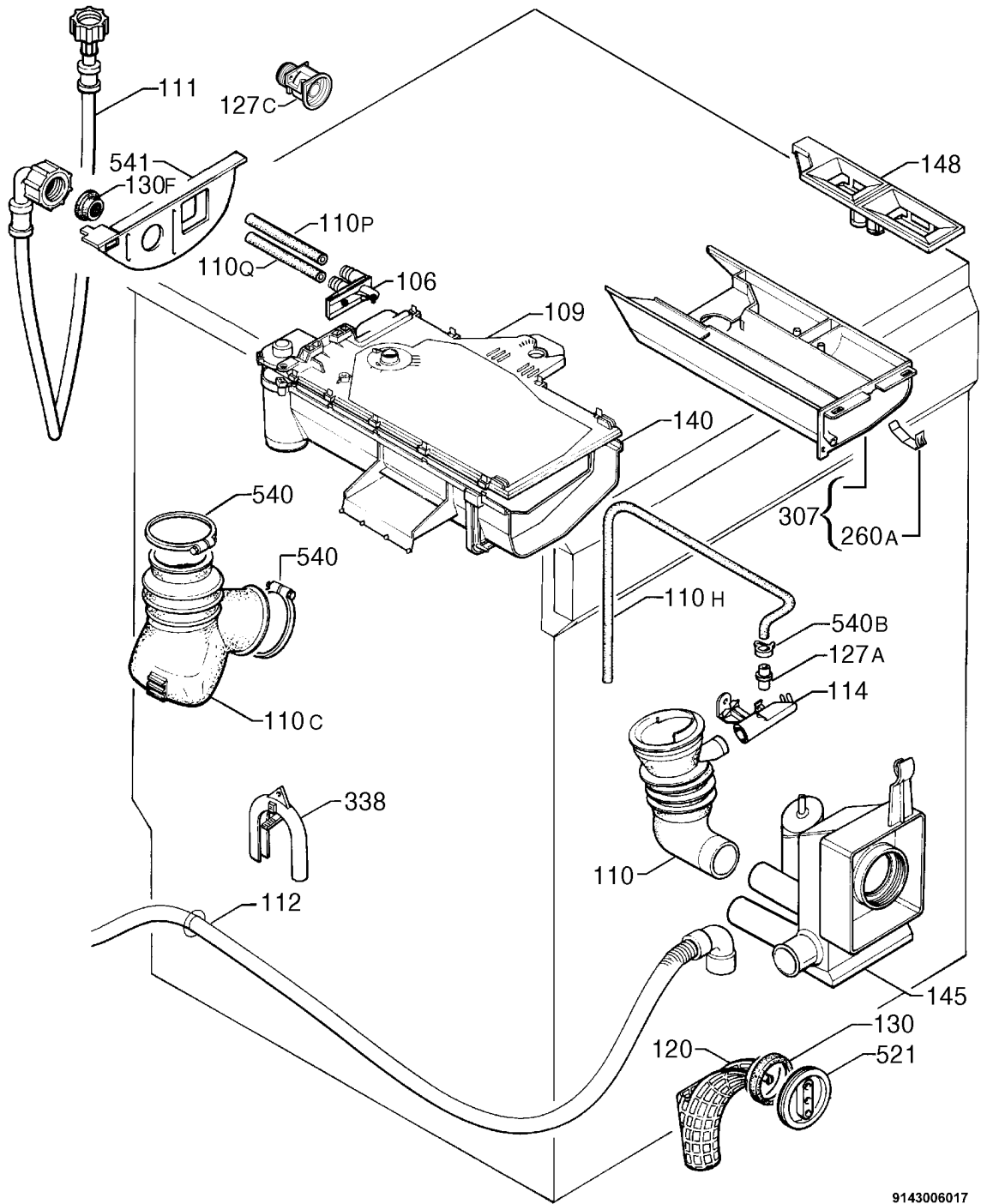




9143000776

<b>A</b>	<b>PNC</b> 914601814	<b>Model</b> EW1289W
----------	-------------------------	-------------------------

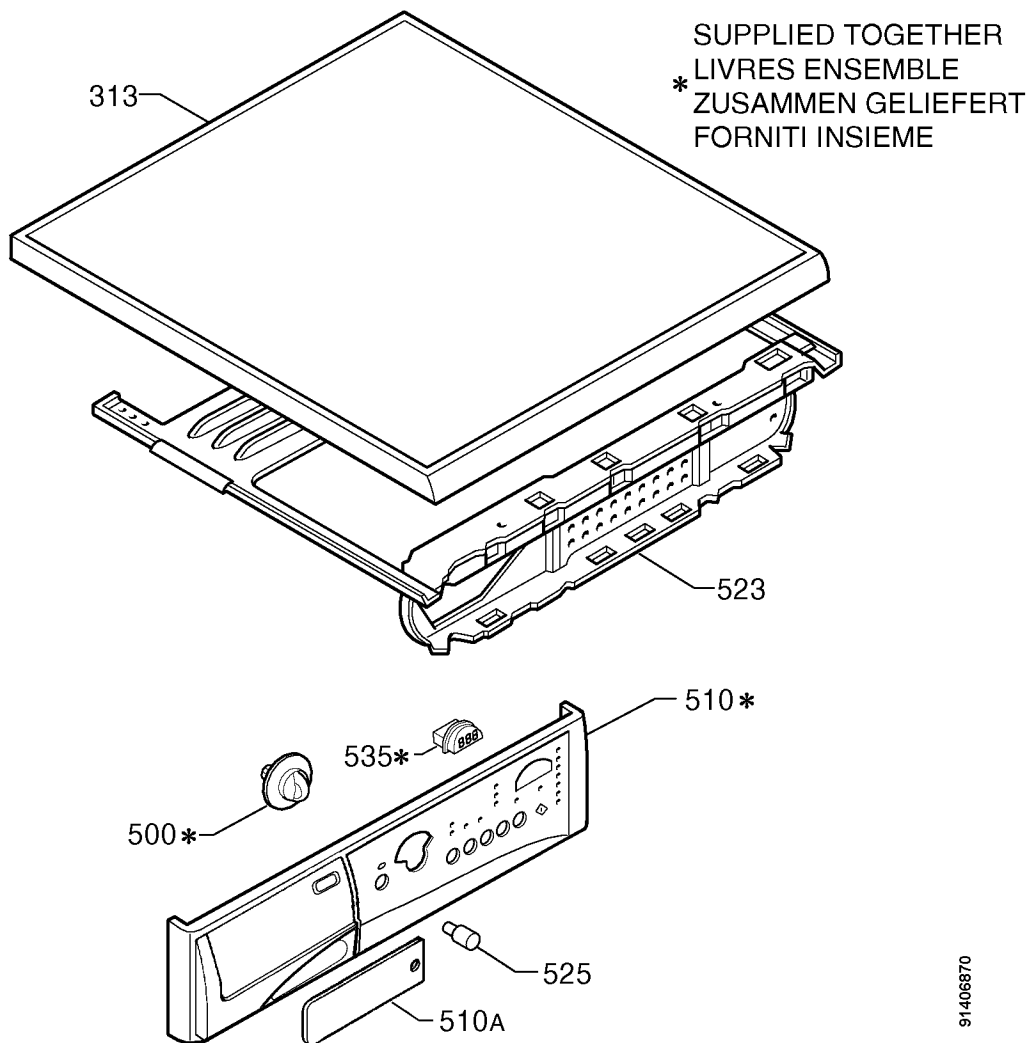
<b>Pos</b>	<b>Part No.</b>		<b>Description</b>
115	1321 06 400 / 6	A	rubber bellow,WD BD JS
125	1320 02 400 / 1	A	fixing spring,rubber bellow,tub,BD
125A	1320 55 200 / 1	A	connection ring,rubber bellow,cabinet,BD
130	1240 15 903 / 6	A	gasket,shell,tub
130X	1249 65 200 / 7	A	gasket,drum shaft
150	50270 31 800 / 4	A	Kit,shell,bob,G20/21 WD BD
150A	1246 31 290 / 2	A	assembly,shell,back,G21 1T WD BD 1200
250	1320 04 540 / 2	A	drum,complete,G21 BD 1300RPM
251A	1240 17 210 / 4	A	cushion
253	1240 21 150 / 6	A	belt,rubber,1196 J5
254A	50253 41 900 / 1	A	assembly,bearing spider,Socket
255X	50269 56 000 / 4	A	bearing,back,30x62x16
255Y	5423 35 720 / 0	A	bearing,35 x 72 x17
260	1240 19 501 / 4	A	Spring,suspension,tub
260B	1247 82 510 / 0	A	retaining spring,heater
262	50249 70 100 / 9	A	Kit,drum paddle,Screw
264	1249 65 600 / 8	A	pulley,(273) G21 13/16
531	50228 35 500 / 9	A	Screw,pulley
531B	1242 72 500 / 8	A	Screw,lock,tub
531D	1245 71 700 / 2	A	Screw,bob,front,8X59 TSP/TORX
531E	1240 22 000 / 2	A	Screw,bearing spider
563	1240 04 121 / 8	A	bolt,cushion
591A	1242 12 210 / 7	A	Washer,bob,front,(21,7x29)



9143006017

<b>A</b>	<b>PNC</b> 914601814	<b>Model</b> EW1289W
----------	-------------------------	-------------------------

<b>Pos</b>	<b>Part No.</b>		<b>Description</b>
106	1249 47 010 / 3	A	connector,2-ways,3 SCOMP.
109	1240 14 620 / 7	A	conveyor,water,Container cup
110	1243 07 200 / 4	A	Drain hose,tub,manifold
110C	1249 66 600 / 7	A	Hose,detergent
110H	1246 90 410 / 4	A	Hose,circulation,porthole,WD BD
110P	1249 47 450 / 1	A	Hose,electric valve,Container cup,D=12- L=87
110Q	1249 47 431 / 1	A	Hose,electric valve,Container cup,D=10
111	1245 07 820 / 7	A	inlet hose,water
112	1240 88 110 / 0	A	discharge pipe,L=2370
114	1243 07 100 / 6	A	bell,air,2-ways
120	1240 08 802 / 9	A	filter
127A	1240 00 100 / 6	A	tube connection,circulation
127C	1240 78 300 / 9	A	connector,Solenoid,AF 3vie
130	1240 14 900 / 3	A	sieve seal
130F	1240 15 100 / 9	A	sealing
140	1248 27 201 / 3	A	dispenser,detergent
145	1240 14 470 / 7	A	Manifold,complete
148	1246 13 601 / 2	A	syphon,ADD.3SC.
260A	1248 16 400 / 4	A	Spring,detergent drawer
307	50245 08 500 / 1	A	Kit,detergent drawer,Spring
338	1242 91 600 / 3	A	end piece,Drainage hose
521	1240 08 616 / 3	A	Bung,interlock,filter
540	1240 06 000 / 2	A	hose clamp,D=64
540B	1242 68 200 / 1	A	hose clamp,Hose,circulation
541	1246 08 608 / 4	A	Cable clamp,Hose,Back panel



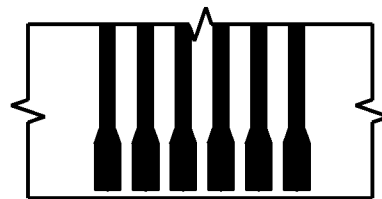
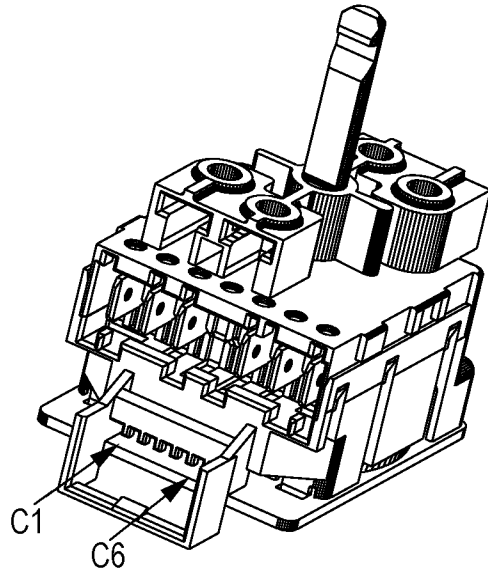
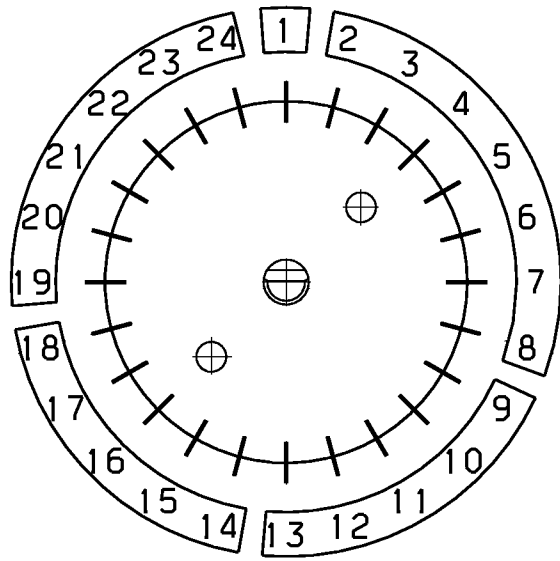
91406870

---

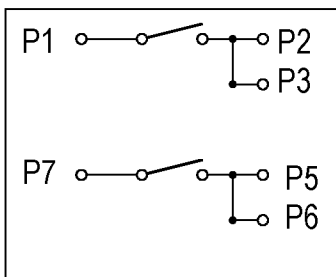
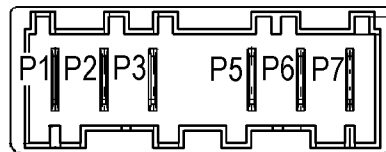
<b>A</b>	<b>PNC</b> 914601814	<b>Model</b> EW1289W
----------	-------------------------	-------------------------

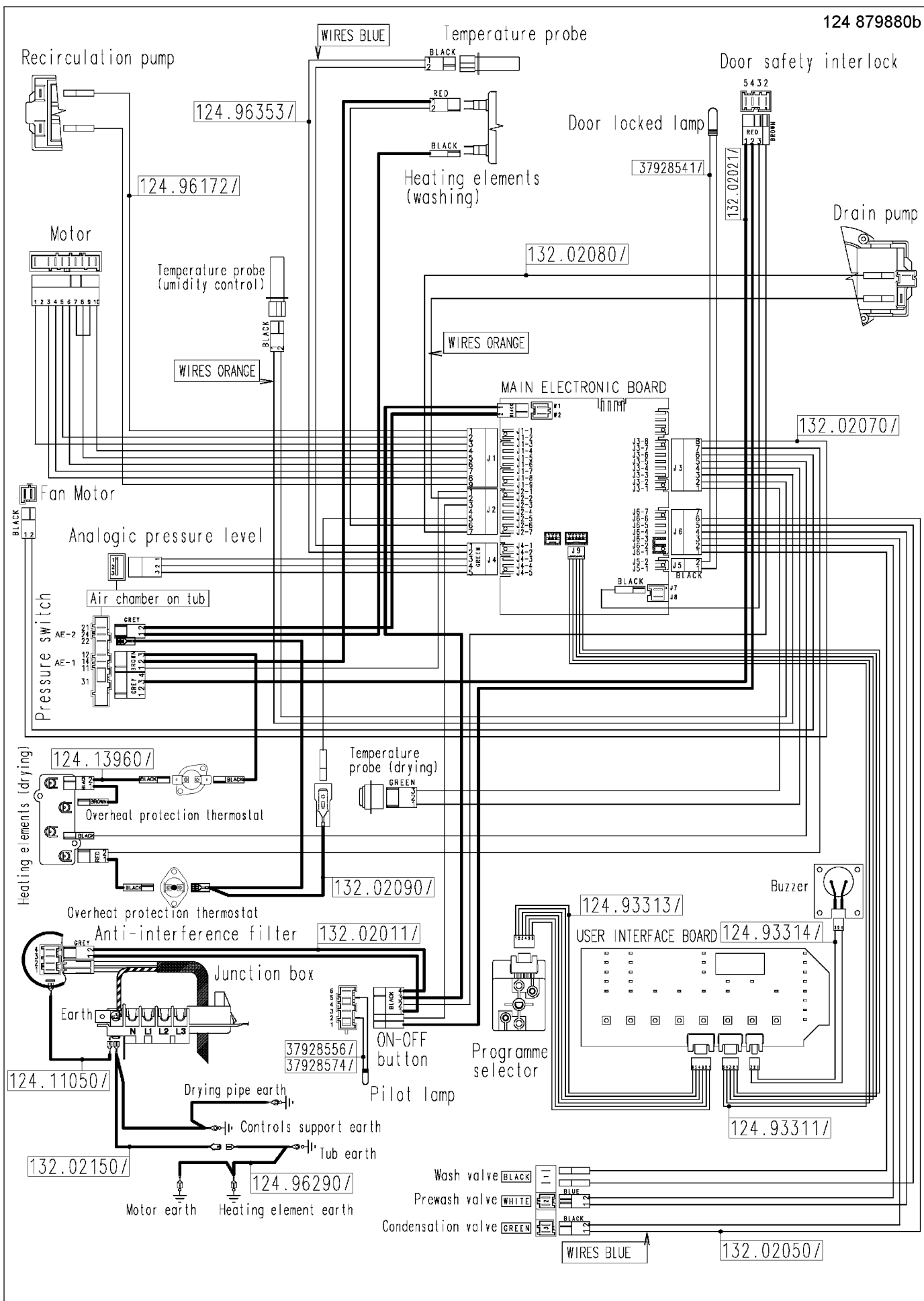
<b>Pos</b>	<b>Part No.</b>		<b>Description</b>
313	1248 43 000 / 9	A	table top,P63S A/M
500	1248 62 890 / 9	A	Knob,Programme selector
510	1321 18 330 / 1	A	assembly,Control panel
510A	1247 96 490 / 9	A	programme card,(en)
	1320 89 370 / 2	A	programme card,(th)
	1320 89 380 / 1	A	programme card,(vi)
	1320 89 390 / 0	A	programme card,(in)
523	1246 05 887 / 7	A	controls support,WD S.EWM2000 P62/3
525	1320 01 300 / 4	A	Push button-,0/I
535	1320 01 700 / 5	A	diffuser,display

	C6 (common)				
1		●	●	●	●
2		●			●
3		●	●		
4		●		●	
5		●	●	●	
6				●	●
7	●				
8	●				●
9	●			●	
10		●		●	●
11			●		●
12	●			●	●
13	●		●		
14			●	●	
15	●		●		●
16			●	●	●
17	●		●	●	
18	●		●	●	●
19	●	●			
20		●	●		●
21					●
22		●			
23				●	
24			●		
	C1	C2	C3	C4	C5



C1 C5 C2 C4 C3 C6

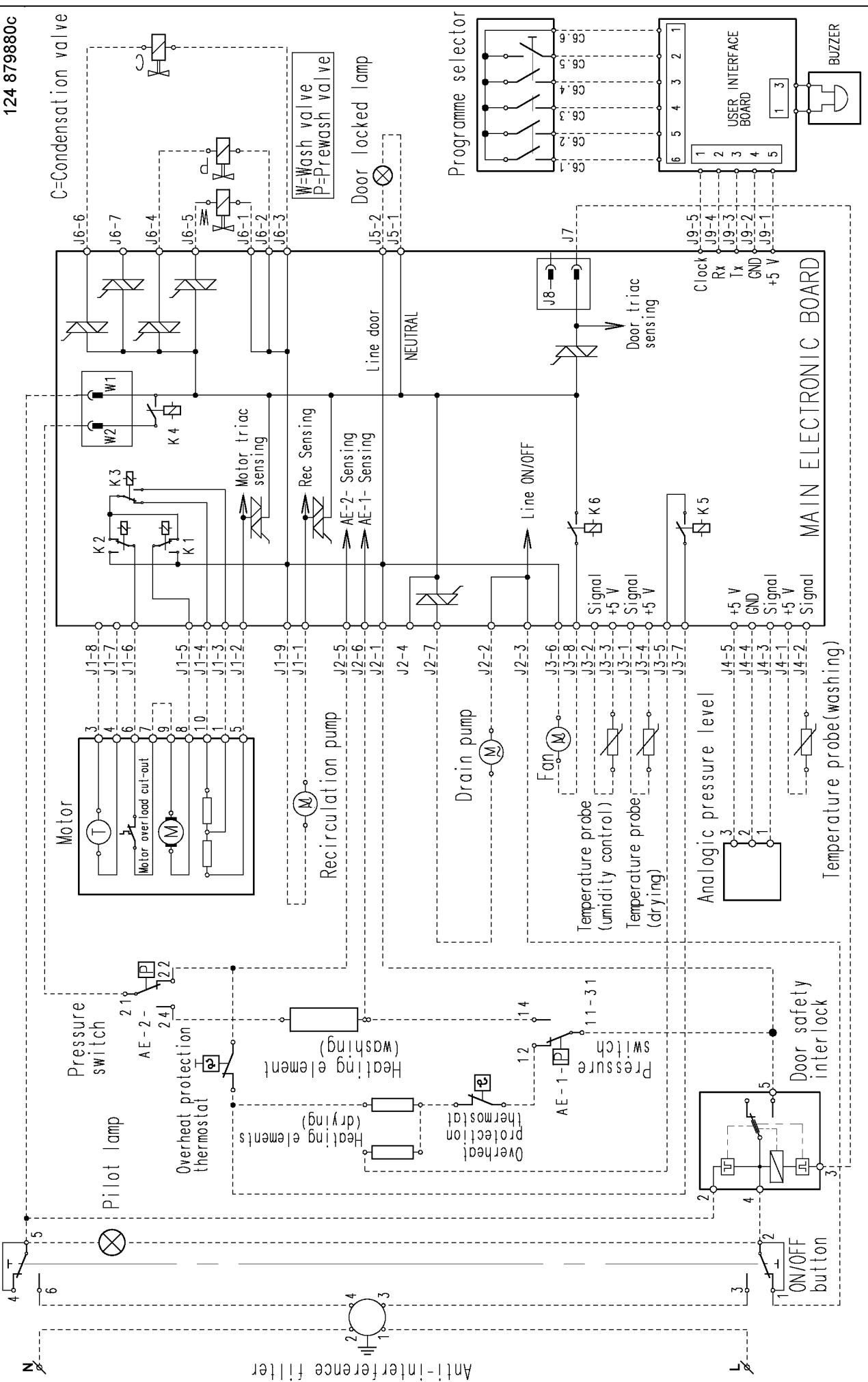






## P00ZP300002708

Air chamber on tub	Air chamber on tub
Analogic pressure level	Analogic pressure level
Anti-interference filter	Anti-interference filter
Condensation valve	Condensation valve
Controls support earth	Controls support earth
Door safety interlok	Door safety interlock
Drain pump	Drain pump
Drying pipe heart	Drying pipe heart
Earth	Earth
Fan	Fan
Heating element earth	Heating element earth
Heating elements (drying)	
Heating elements (drying)	
Heating elements (washing)	
Heating elements (washing)	
Junction box	Junction box
Main electronic board	Main electronic board
Motor	Motor
Motor earth	Motor earth
Motor overload cut-out	Motor overload cut-out
ON/OFF button	ON/OFF button
Overheat protection thermostat	
Overheat protection thermostat	
Prewasch valve	Pre-wash valve
Pressure switch	Pressure switch
Programme selector	Programme selector
Recirculation pump	Recirculation pump
Temperature probe (drying)	
Temperature probe (drying)	
Temperature probe (humidity control)	
Temperature probe (humidity control)	
Temperature probe (washing)	
Temperature probe (washing)	
Tub earth	Tub earth
User interface board	User interface board
Wires	Wires
Black	Black
Blue	Blue
Brown	Brown
Green	Green
Green-yellow	Green-yellow
Grey	Grey
Orange	Orange
Red	Red
Violet	Violet



C=Condensation valve

W=Wash valve  
P=Prewash valve

MAIN ELECTRONIC BOARD

Motor

Recirculation pump

Drain pump

Temperature probe (humidity control)

Temperature probe (drying)

Analogic pressure level

Temperature probe (washing)

Pilot lamp

Pressure switch

Overheat protection thermostat

Heating element (washing)

Heating elements (drying)

Overheat protection thermostat

Pressure switch

Door safety interlock

ON/OFF button

Programme selector

USER INTERFACE BOARD

BUZZER

N

Anti-interference filter

L

PE

J8

J7

J9-5

J9-4

J9-3

J9-2

J9-1

J4-5

J4-4

J4-3

J4-2

J3-6

J3-8

J3-2

J3-3

J3-1

J3-4

J3-5

J3-7

J1-8

J1-7

J1-6

J1-5

J1-4

J1-3

J1-2

J1-1

J6-6

J6-7

J6-4

J6-5

J6-1

J6-2

J6-3

J5-2

J5-1

J2-5

J2-6

J2-1

J2-4

J2-7

J2-2

J2-3

J3-2

J3-3

J3-1

J3-4

J3-5

J3-7

J4-5

J4-4

J4-3

J4-2

J4-1

J4-2

J4-1

J4-2

J4-1

J4-2

J4-1

J4-2

J4-1

J4-2

J4-1

J4-2

J4-1

J4-2

J4-1

J4-2

J4-1

J4-2

J4-1

J4-2

J4-1

J4-2

J4-1

J4-2

J4-1

J4-2

J4-1

J4-2

J4-1

J4-2

J4-1

J4-2

J4-1

J4-2

J4-1

J4-2

J4-1

J4-2

J4-1

J4-2

J4-1

J4-2

J4-1

J4-2

J4-1

J4-2

J4-1

J4-2

J4-1

J4-2

J4-1

J4-2

J4-1

J4-2

J4-1

J4-2

J4-1

J4-2

J4-1

J4-2

J4-1

J4-2

J4-1

J4-2

J4-1

J4-2

J4-1

J4-2

J4-1

J4-2

J4-1

J4-2

J4-1

J4-2

J4-1

J4-2

J4-1

J4-2

J4-1

J4-2

J4-1

J4-2

J4-1

J4-2

J4-1

J4-2

J4-1

J4-2

J4-1

J4-2

J4-1

J4-2

J4-1

J4-2

J4-1

J4-2

J4-1

J4-2

J4-1

J4-2

J4-1

J4-2

J4-1

J4-2

J4-1

J4-2

J4-1

J4-2

J4-1

J4-2

J4-1

J4-2

J4-1

J4-2

J4-1

J4-2

J4-1

J4-2

J4-1

J4-2

J4-1

J4-2

J4-1

J4-2

J4-1

J4-2

J4-1

J4-2

J4-1

J4-2

J4-1

J4-2

J4-1

J4-2

J4-1

J4-2

J4-1

J4-2

J4-1

J4-2

J4-1

J4-2

J4-1

J4-2

J4-1

J4-2

J4-1

J4-2

J4-1

J4-2

J4-1

J4-2

J4-1

J4-2

J4-1

J4-2

J4-1

J4-2

J4-1

J4-2

J4-1

J4-2

J4-1

J4-2

J4-1

J4-2

J4-1

J4-2

J4-1

J4-2

J4-1

J4-2

J4-1

J4-2

J4-1

J4-2

J4-1

J4-2

J4-1

J4-2

J4-1

J4-2

J4-1

J4-2

J4-1

J4-2

J4-1

J4-2

J4-1

J4-2

J4-1

J4-2

J4-1

J4-2

J4-1

J4-2

J4-1

J4-2

J4-1

J4-2

J4-1

J4-2

J4-1

J4-2

J4-1

J4-2

J4-1

J4-2

J4-1

J4-2

