



**ELECTROLUX HOME PRODUCTS PTY LTD**  
ABN 51 004 762 341

Technical Publication N° XRE109

Issue: 1  
Date: 6/09

**WEB SITE ADDRESS: [www.partnship.com.au](http://www.partnship.com.au)**

***ELECTROLUX  
ELECTRONICALLY CONTROLLED  
COMPACT  
SIDE BY SIDE  
REFRIGERATORS***

***MODEL:***

**ERE6070SX-XE (ICE & WATER) STAINLESS STEEL  
(PNC 920404153)**

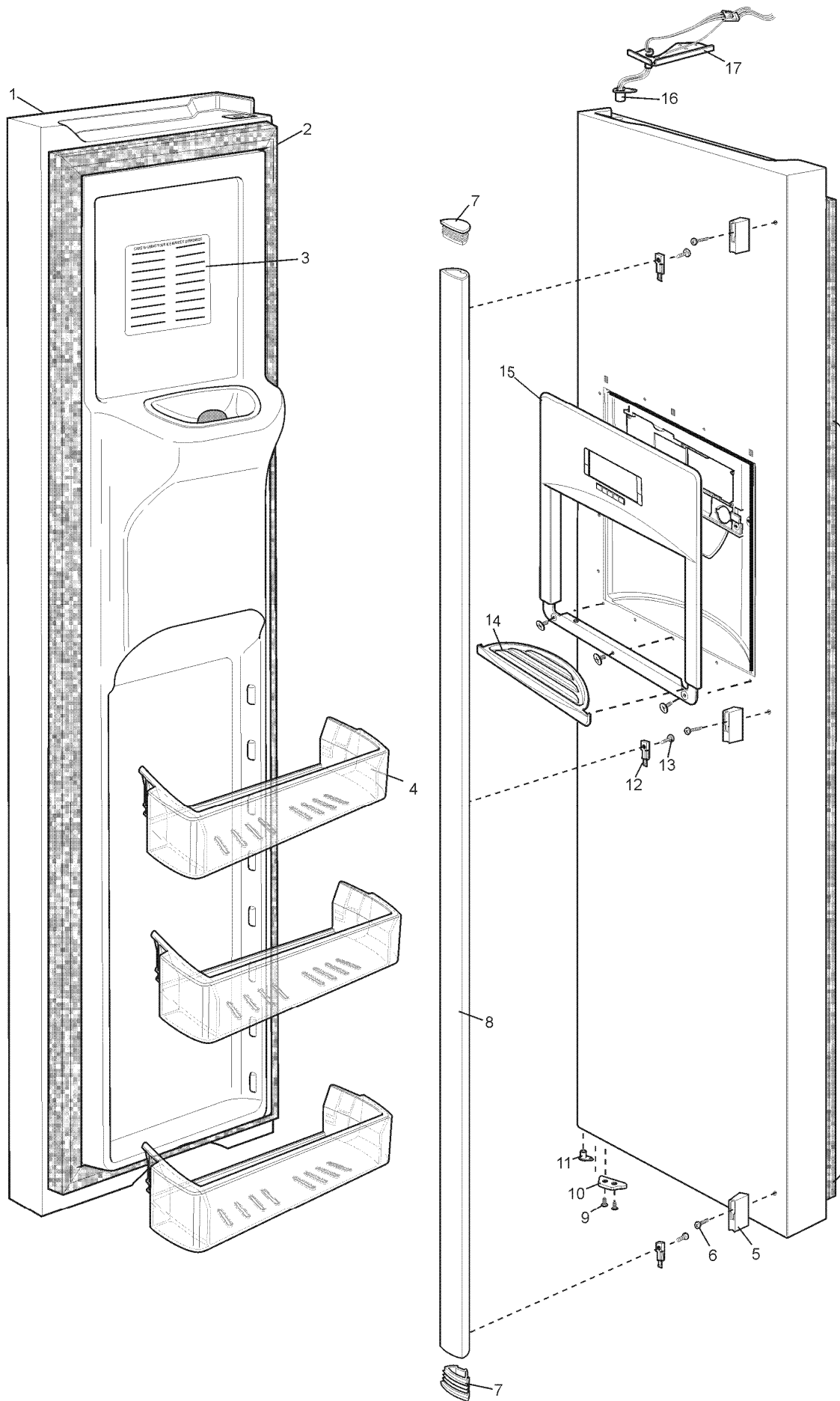
## INDEX

SECTION	PAGE N°
Index	2
Notes	3
Freezer Door Assy. Ice & Water Stainless Steel	4 - 5
Food Compartment Stainless Steel	6 - 7
Dispenser Assy.	8 - 9
Control Housing Assy. FC & Water Tank Assy.	10 - 11
Ice Maker Parts	12 - 13
Ice & Water Parts	14 - 15
Freezer Assy.	16 - 17
Cabinet Assy. Ice & Water, Including Baskets, Bins & Shelves	18 - 19
Machine Compartment	20 - 21



MODEL: ERE6070SX (STAINLESS STEEL, I & W)

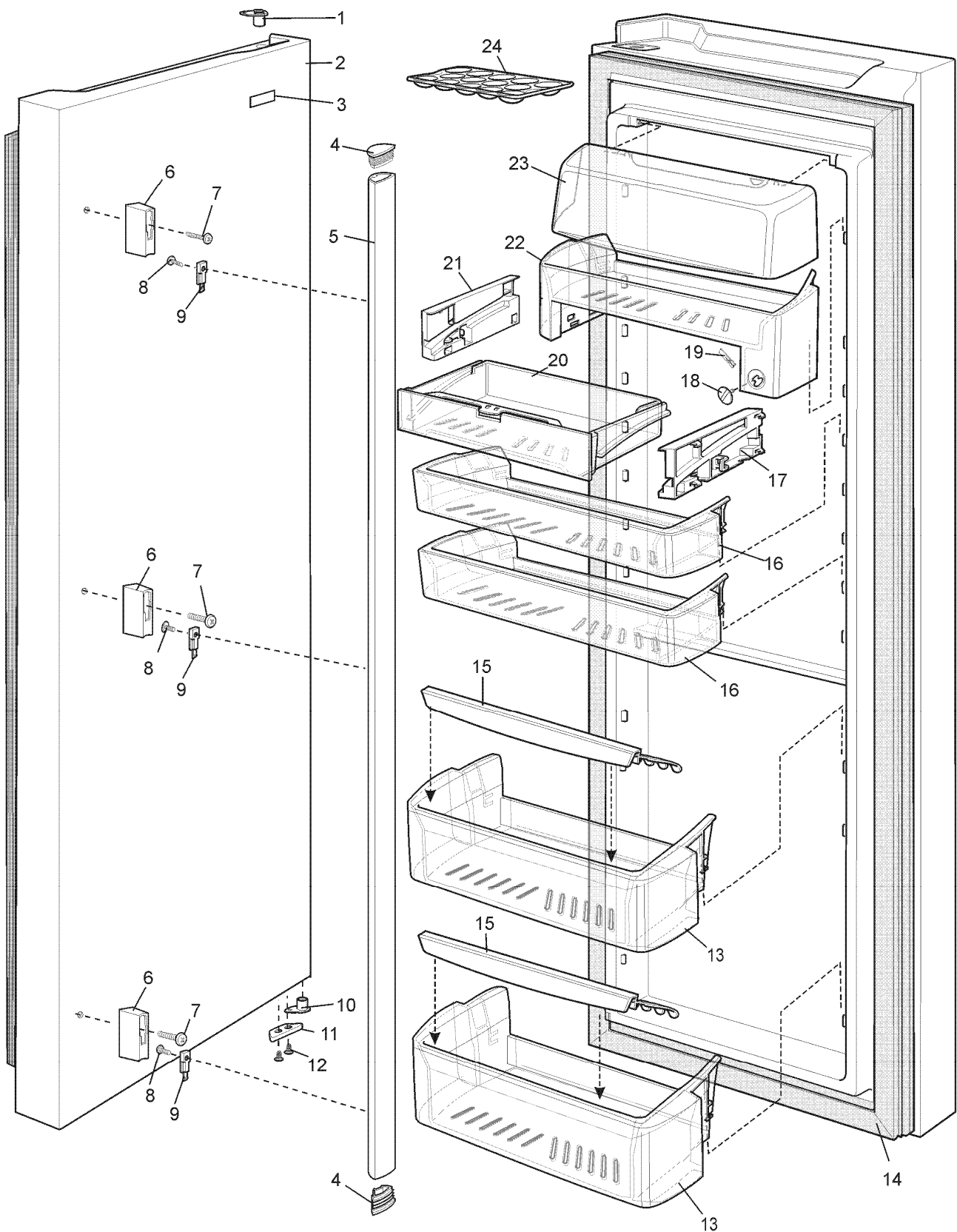
EX. VIEW DRAWING 6254  
DOOR ASSY. FREEZER



ITEM	PART N°	DESCRIPTION	EX. VIEW 6254	QTY
1	<b>1451372</b>	Panel, Door Outer Freezer, FIP (Stainless Steel)		1
2	<b>1447903K</b>	Gasket, Door Freezer		1
3	<b>1451250</b>	Icemaker Instruction Sticker		1
4	<b>1445701</b>	Bin, Door Shelf		3
5	<b>1450206</b>	Pedestal, Handle (Painted)		3
6	<b>1449753</b>	Screw, #8-32 x 19 Type D Hex HD		3
7	<b>1445887</b>	End Cap Handle		2
8	<b>1448267</b>	Handle Assembly, (Stainless Steel) (Includes Items 12 & 13)		1
9	<b>1413287</b>	Screw, Door Stop		2
10	<b>1437503</b>	Door Stop		1
11	<b>1446214</b>	Thimble, Cam Open		1
12	<b>1443895</b>	Insert, Handle Pedestal		3
13	<b>1446811</b>	Screw, Insert M4 x 12 Washer Face		3
14	<b>1452964</b>	Sump (Painted)		1
15	<b>1451110</b>	Display Facia Assy.		1
16	<b>1443581</b>	Thimble, Open		1
17	<b>1445998</b>	Hinge Assy. Top		1

MODEL: ERE6070SX (STAINLESS STEEL, I & W)

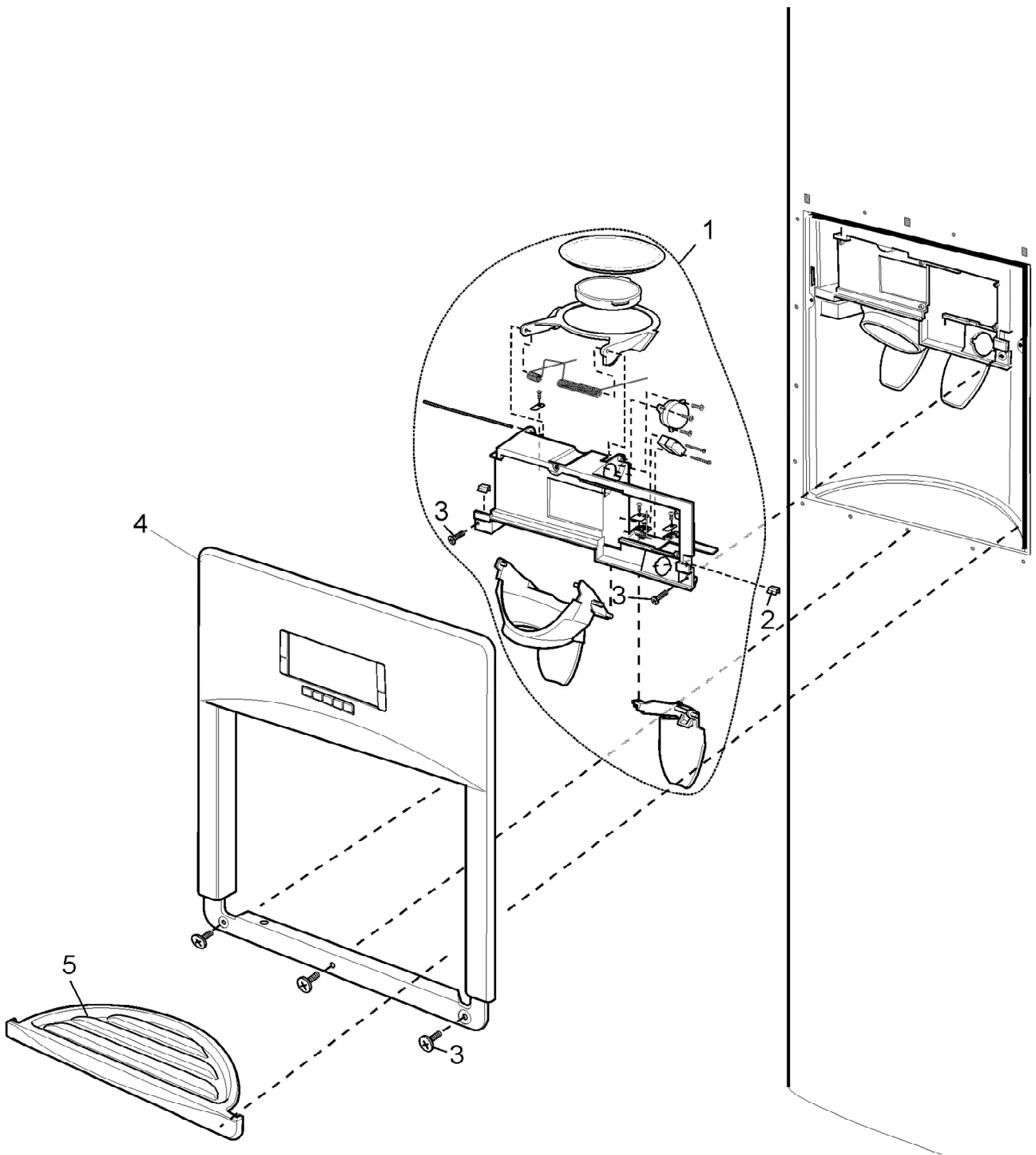
EX. VIEW DRAWING 6905  
DOOR ASSY.  
FOOD COMPARTMENT



ITEM	PART N°	DESCRIPTION	EX. VIEW 6905	QTY
1	<b>1443579</b>	Thimble, Closed		1
2	<b>1445787</b>	Panel, Outer Door FC FIP (Stainless Steel)		1
3	<b>1446358</b>	Nameplate, Electrolux		1
4	<b>1445887</b>	End Cap, Handle		2
5	<b>1448267</b>	Handle Assembly, (Stainless Steel) (Includes Items 8 & 9)		1
6	<b>1450206</b>	Pedestal, Handle (Painted)		3
7	<b>1449753</b>	Screw, #8-32 x 19 Type D Hex HD		3
8	<b>1446811</b>	Screw, Insert M4 x 12 Washer Face		3
9	<b>1443895</b>	Insert, Handle Pedestal		3
10	<b>1445795</b>	Thimble, Cam, Closed		1
11	<b>1437503</b>	Door Stop		1
12	<b>1413287</b>	Screw, Door Stop		2
13	<b>1445705</b>	Bin, Bottle Assy.		2
14	<b>1447902K</b>	Gasket, Door FC		1
15	<b>1445827</b>	Bottle Fingers		2
16	<b>1445702</b>	Bin, Full Width		2
17	<b>1446317</b>	Runner RH, Store Safe		1
18	<b>1441562</b>	Lock Knob		1
19	<b>1441563</b>	Lock Latch		1
20	<b>1445826</b>	Draw, Store Safe		1
21	<b>1446316</b>	Runner LH, Store Safe		1
22	<b>1446362</b>	Bin & Base, Store Safe		1
23	<b>1445703</b>	Door, Dairy		1
24	<b>1448066</b>	Egg Tray		1

MODEL: ERE6070SX (STAINLESS STEEL, I & W)

EX. VIEW DRAWING 6096  
DISPENSER ASSY.

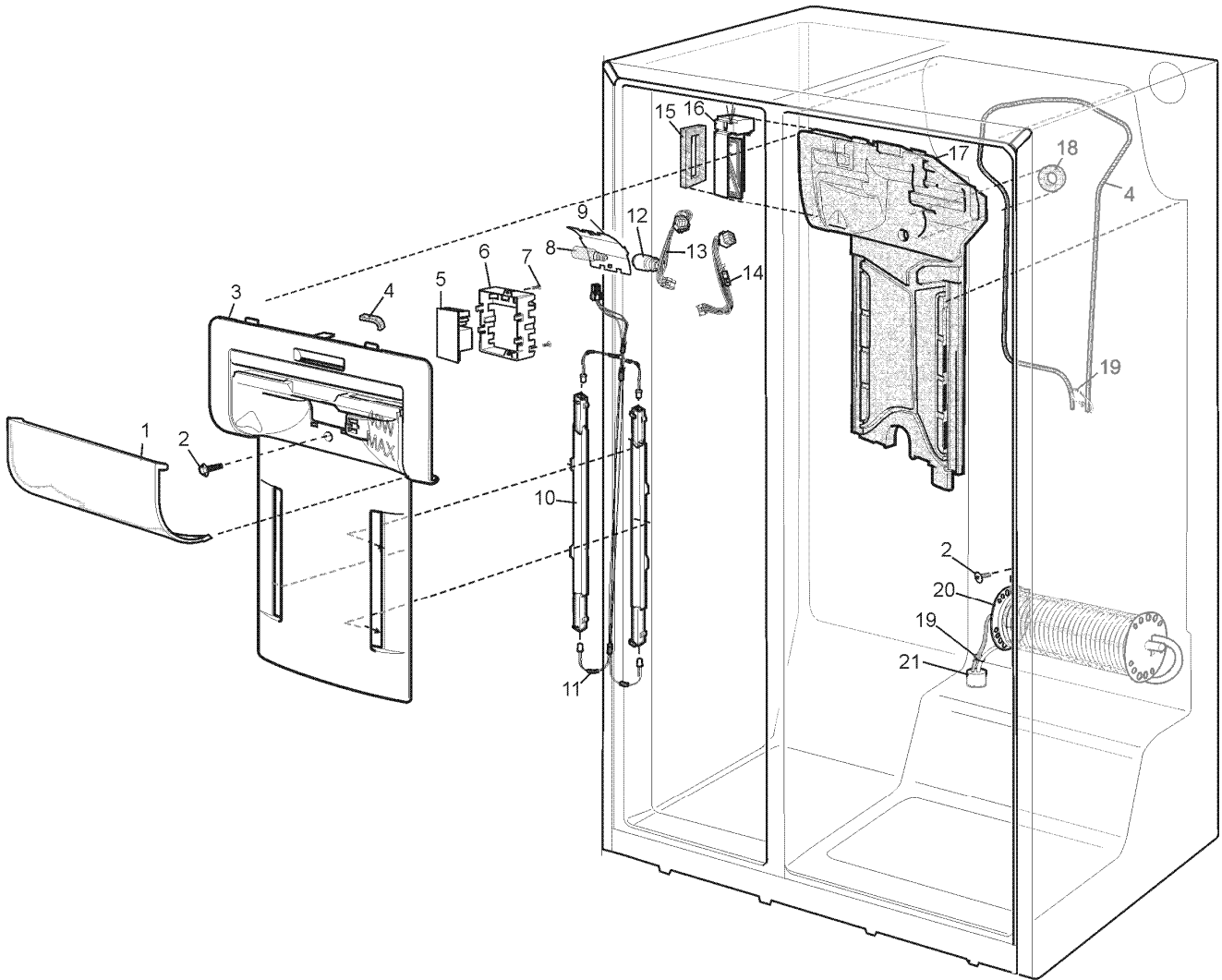




ITEM	PART N°	DESCRIPTION	EX. VIEW 6096	QTY
1	<b>240558950</b>	Paddle Assy., (Black)		1
2	<b>1445545</b>	Clip, Facia		2
3	<b>Q244392</b>	Screw		6
4	<b>1451110</b>	Display Facia Assy.		1
5	<b>1452964</b>	Sump, (Painted)		1

**MODEL: ERE6070SX (STAINLESS STEEL, I & W)**

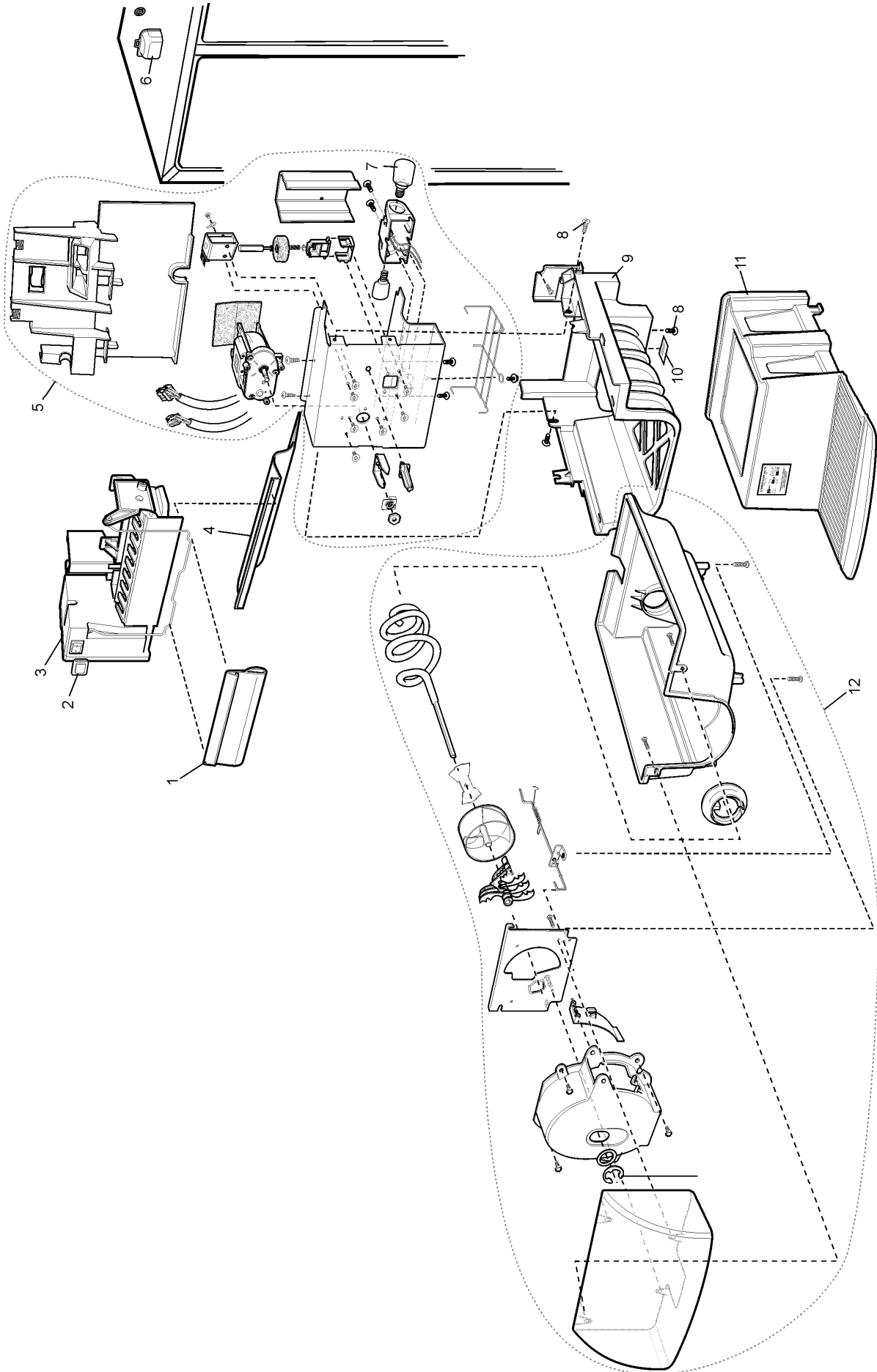
**EX. VIEW DRAWING 6471  
CONTROL HOUSING FC &  
WATER TANK ASSEMBLY**



ITEM	PART N°	DESCRIPTION EX. VIEW 6471	QTY
1	<b>1445840</b>	Lens, Light	1
2	<b>1449424</b>	Screw N° 8 x 19 T/CT TBT P/HD WHT	2
3	<b>*1451150</b>	Housing, Control Rear	1
4	<b>*1419702</b>	Tape, P/Urethane 9mm x 6mm	1
5	<b>*1450646</b>	Relay Board	1
6	<b>*1448717</b>	Shield, Relay Board	1
7	<b>*1450708</b>	Screw 2.6 x 6 PB	2
8	<b>*1443629</b>	Lamp, E14SES 40w Clear	1
9	<b>*1444192</b>	Shield, Light	1
10	<b>*1441341</b>	Decorative Lighting	2
11	<b>*1448777</b>	Harness, Feature Lighting	1
12	<b>Refer Item 13</b>	Lampholder.	1
13	<b>*1451175</b>	Harness, Control High Voltage (Includes Lampholder)	1
14	<b>*1451174</b>	Harness, Control Low Voltage	1
15	<b>*1446220</b>	Gasket, Control Housing CSS	1
16	<b>*1443632K</b>	Motorised Baffle, FBZA-1750	1
17	<b>*1451152</b>	EPS Housing, Control Rear	1
18	<b>*1438720</b>	Gasket, Single Sided	1
19	<b>*1416248</b>	Cable Tie	3
20	<b>1451680</b>	Tank & Water Line Assy	1
21	<b>1448102</b>	Grommet, FC Water Tube	1
<b>Note:</b> “*” Can replace the above parts with assembly 1454697			

MODEL: ERE6070SX (STAINLESS STEEL, I & W)

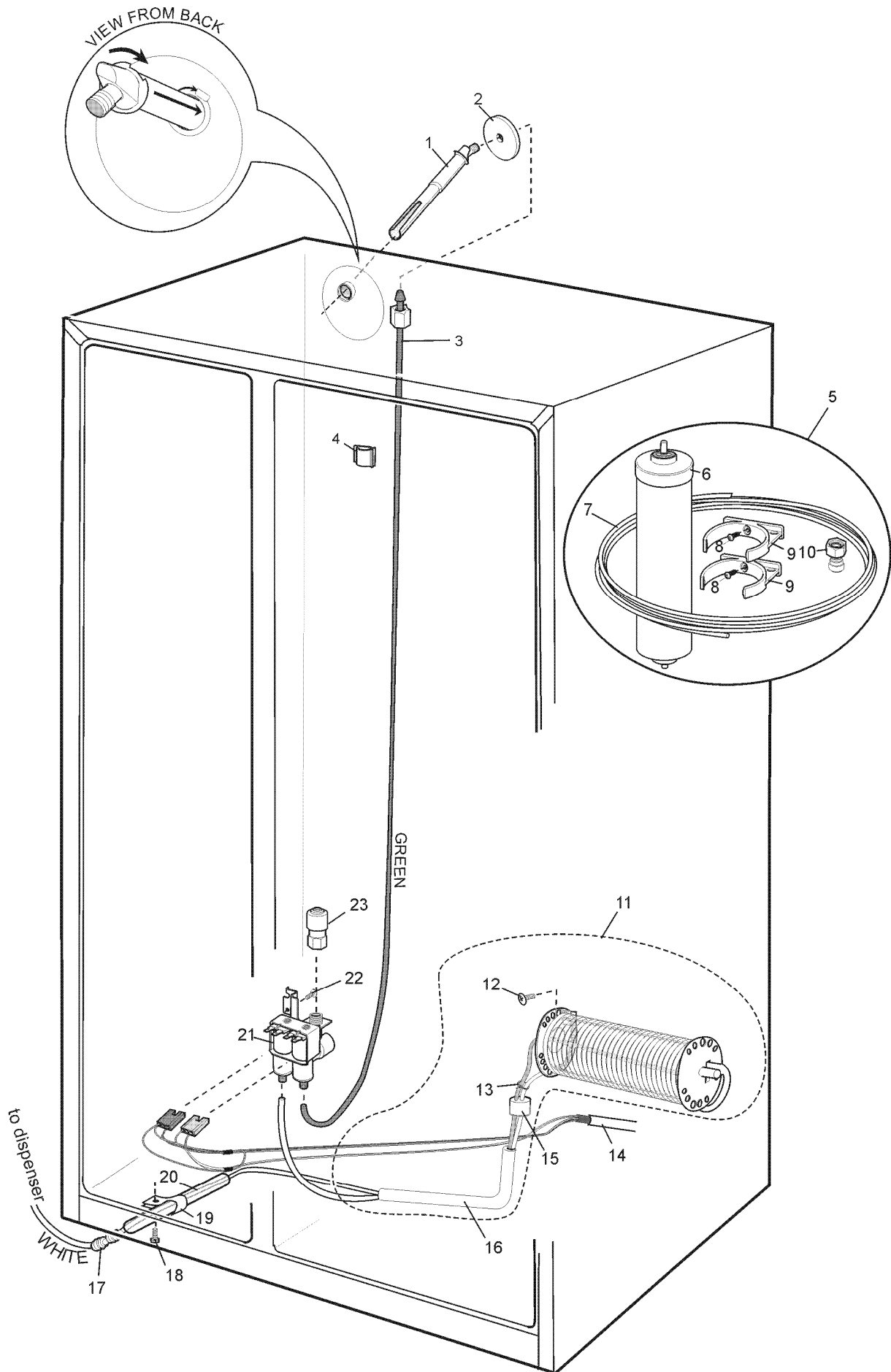
EX. VIEW DRAWING 6103  
ICE MAKER PARTS



ITEM	PART N°	DESCRIPTION	EX. VIEW 6103	QTY
1	<b>241720601</b>	Bail Arm Extension		1
2	<b>1451384</b>	Cover, Switch (Part Of Item N° 3)		1
3	<b>241709806</b>	Ice Maker Assy. Compact		1
4	<b>241583301</b>	Plenum, Ice Maker		1
5	<b>241675103</b>	Auger Motor Assy.		1
6	<b>1449114</b>	Shroud, Ice Maker Connector		1
7	<b>1451284</b>	Lamp E14SES 25w Blue		2
8	<b>1449401</b>	Screw, N° 8 –32 x 3/8”		4
9	<b>1446620</b>	Ice Cradle Plastic		1
10	<b>1437239</b>	Sticker, Maximum 25watts		1
11	<b>1453110</b>	Shelf, Ice Cream (Includes Sticker)		1
12	<b>241504303</b>	Ice Bucket Assy.		1

MODEL: ERE6070SX (STAINLESS STEEL, I & W)

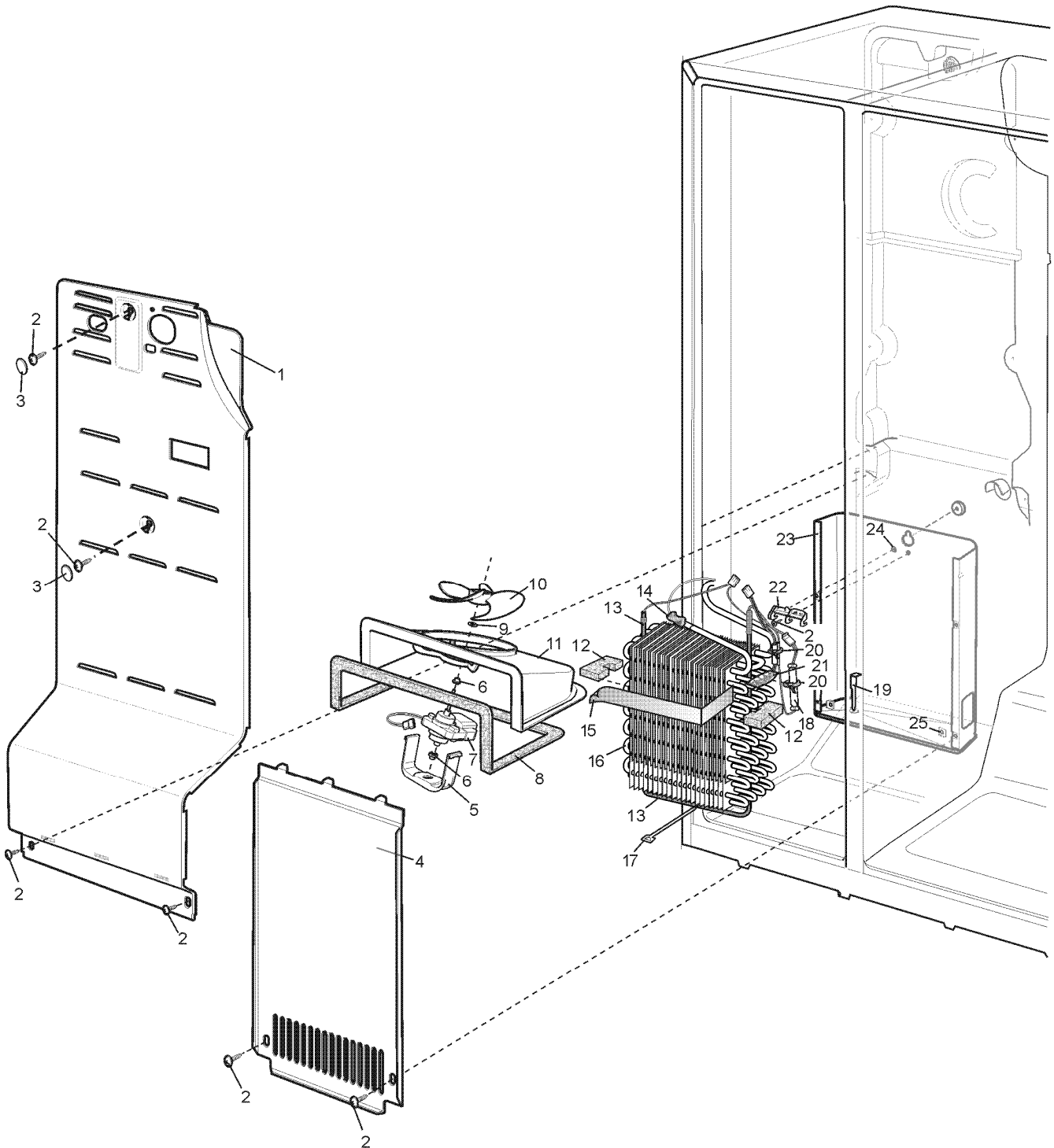
EX. VIEW DRAWING 6474  
ICE & WATER PARTS



ITEM	PART N°	DESCRIPTION EX. VIEW 6474	QTY
1	<b>241850610</b>	Tube I/M & Supply Tube (Item N° 3)	1
2	<b>1445547</b>	Gasket, Tube Entry	1
3	<b>Refer Item 1</b>	Part Of Item N° 1	x
4	<b>1436223</b>	Clip, Self Adhesive	2
5	<b>1451041K</b>	Installation Kit I & W (supplied with the refrigerator by the factory) contains items 5, 6, 7, 8 & 9	1
6	<b>1450970</b>	Water Filter	1
7	<b>1451042</b>	Tubing 5 metres	x
8	<b>1451075</b>	Screw, Filter Mount Bracket	2
9	<b>1451074</b>	Bracket, Filter Mount	2
10	<b>*C1320814S</b>	Tap Fitting ½”	1
11	<b>1451680</b>	Tank & Waterline Assy.	1
12	<b>1449412</b>	Screw, Tank N° 8 x ½” TF FLANGE HD WHT	1
13	<b>1416248</b>	Cable Tie White 140mm	4
14	<b>1453660</b>	Harness, Water Valves & Compressor	1
15	<b>1448102</b>	Grommet, Water tube	1
16	<b>1449978</b>	PVC, Tube 25mm ID x 680mm	1
17	<b>1436592</b>	Connector, 5/16”	1
18	<b>1449407</b>	Screw, #12-14, 16.0mm	2
19	<b>1437664</b>	Clip, Guide Tube	2
20	<b>1448144</b>	Guide, Tube, Under Cabinet	1
21	<b>1454491</b>	Valve, Water, Dual Push Fit	1
22	<b>1449401</b>	Screw, 8-32 x 3/8”	4
23	<b>1451057</b>	Valve Fit, Push Fit	1
<b>Note:</b> The plastic nut securing the tube is only supplied with the tube.			
<b>Note:</b> “*” If you require the ¾” Tap Fitting order part number C1320816S			

MODEL: ERE6070SX (STAINLESS STEEL, I & W)

EX. VIEW DRAWING 5777  
FREEZER ASSY.

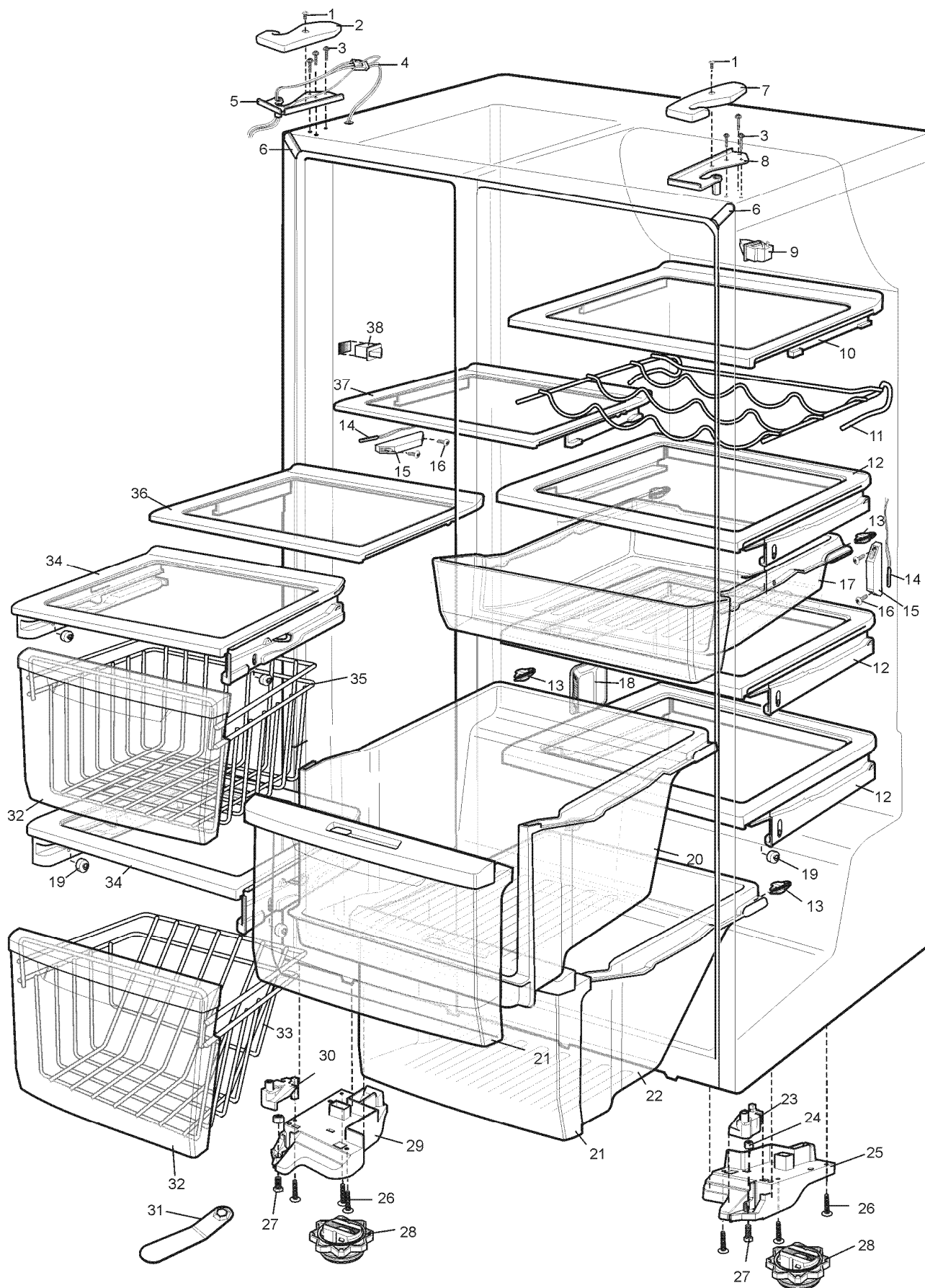




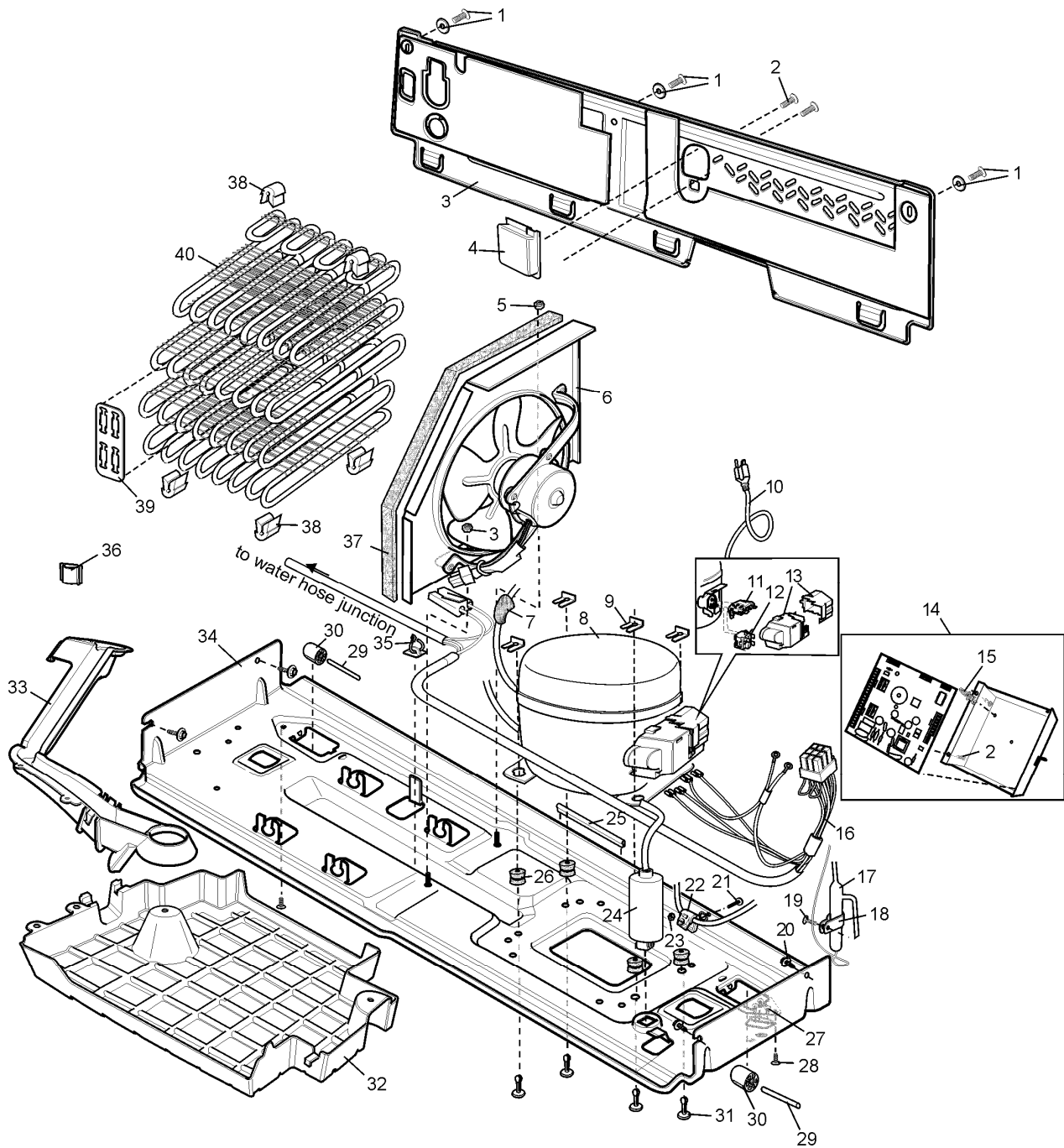
ITEM	PART N°	DESCRIPTION	EX. VIEW 5777	QTY
1	<b>1452290</b>	Cover, Air Duct Upper		1
2	<b>1449412</b>	Screw, N° 8 x ½" TF FLANGE HD WHT		6
3	<b>1445182</b>	Plug Button		2
4	<b>1452289</b>	Cover, Evaporator		1
5	<b>1451296</b>	Bracket, Fan Motor		1
6	<b>1451298</b>	Grommet, Fan Motor		2
7	<b>1451294</b>	Motor, Fan Evap. 5w		1
8	<b>1435811</b>	Foam Tape 9mm x 6mm		1
9	<b>1451297</b>	Washer, Fan		1
10	<b>1451299</b>	Blade, Fan Motor Evap.		1
11	<b>1451295</b>	Shroud, Fan		1
12	<b>1446096</b>	Seal By Pass		2
13	<b>1448992</b>	Heater, Defrost		1
14	<b>1437017</b>	Noise Damper		1
15	<b>1438124</b>	Aluminium Foil Tape 36mm		1
16	<b>1450006</b>	Evaporator, Heater & H/X		1
17	<b>1427422</b>	Clip, Strap		2
18	<b>1450009</b>	Thermal Fuse (Part of Harness Evap)		1
19	<b>1449072</b>	Strainer, Drain Trough		1
20	<b>1416248</b>	Cable Tie, White 140mm		3
21	<b>1448818</b>	D.T.T. 11°C Cut Out		1
22	<b>218990801</b>	Bracket, Support		1
23	<b>1448150</b>	Drain Trough, Evap.		1
24	<b>1448289</b>	Rivet		1
25	<b>197188</b>	Clip		4

MODEL: ERE6070SX (STAINLESS STEEL, I & W)

EX. VIEW DRAWING 7241  
BASKETS, BINS & SHELVES



ITEM	PART N°	DESCRIPTION	EX. VIEW 7241	QTY
1	1448463	Screw, #8-32 x 3/8" Non Thread Cut		2
2	1449963	Cover, Hinge Top LH (Grey SYD1212A)		1
3	1449414	Screw, Hinge		6
4	N.P.N.	Part Of Door & Cabinet Harness		x
5	1445998	Hinge Assy, Top LH		1
6	1450894	Cap Corner (Grey SYD1212A)		2
7	1449964	Cover, Hinge Top RH (Grey)		1
8	1445999	Hinge Assy, Top RH		1
9	1446958	Switch, Lamp		1
10	1448602	Glass Shelf		2
11	1449039	Wine Rack		1
12	1446232	Shelf Assy. Glass Deli/Crisper		3
13	1441869	Skid, Crisper/Deli Bin		6
14	*N.P.N.	Sensor, Part Of Cabinet Harness		x
15	1450718	Cover, Sensor (Slotted)		2
16	1449424	Screw N° 8 x 19 T/CT TBT P/HD WHT		4
17	1445763	Bin, Deli Assy.		1
18	1454163	Air Return Guide		1
19	1446682	Roller, Glass Shelf, (Bin Crisper/Deli/Freezer Basket)		10
20	1448209	Base, Bin Crisper Top		1
21	1448208	Facia Assy., Bin Crisper		2
22	1449981	Base, Bin Crisper Bottom		1
23	1447124	Cam, RH		1
24	1447248	Nut		2
25	1447543	Hinge Assy. Bottom RH		1
26	1449407	Screw, #12-14, 16.0mm		6
27	1446998	Bolt		2
28	1416794	Roller, Adjustable		2
29	1447542	Hinge Assy. Bottom LH		1
30	1447123	Cam, LH		1
31	1448378	Ring Spanner Door Adjust		1
32	1446178	Front, Freezer Basket		2
33	1446180	Basket, Freezer, Lower, Coated		1
34	1446181	Shelf Assy. Glass Freezer Basket		2
35	1446177	Basket, Freezer, Upper, Coated		1
36	1445677	Shelf, Glass Freezer		1
37	1446230	Shelf, Glass Shallow		1
38	1437553	Switch Lamp		1



ITEM	PART N°	DESCRIPTION	EX. VIEW 7243	QTY
1	<b>1444905</b>	Screw/Washer, Cover Machine Compartment		3
3	<b>1451162</b>	Cover, Machine Compartment Assy.		1
4	<b>1438118</b>	Cover Light Switch		1
2	<b>1449411</b>	Screw, N° 8 x ¾" T/F TA PAN/HD		4
5	<b>1451413</b>	Nut M5		2
6	<b>1449191</b>	Condenser Fan/Shroud/Blade Assy.		1
7	<b>1437017</b>	Noise Damper		2
8	<b>1450247</b>	Compressor, Embraco EGYS100		1
9	<b>1449402</b>	Clip, Compressor		4
10	<b>1449113</b>	Cord, Service European		1
11	<b>1448293</b>	Overload, Compressor		1
12	<b>1425208</b>	PTC, Starter Compressor		1
13	<b>1442659</b>	Cover, Terminal/Body		1
14	<b>1450684</b>	Control Board & Box Assy. ERF2500		1
15	<b>1408927</b>	Clip, Control Board		4
16	<b>1453660</b>	Harness, Compressor / Ice & Water Valves		1
17	<b>ES5332</b>	Dryer (Service Replacement)		1
18	<b>252369</b>	Clamp, Dryer		1
19	<b>1449422</b>	Screw, N° 8 x ½" T/F TA PAN/HD		1
20	<b>1449407</b>	Screw, #12-14, 16.0mm		6
21	<b>1449415</b>	Screw, Clamp		1
22	<b>1438128</b>	Clamp, Cord Service		1
23	<b>1449423</b>	Nut		1
24	<b>1448816</b>	Capacitor, 4µf 400v Snap In		1
25	<b>1434347</b>	Edge Cover Extrusion 97mm		2
26	<b>1446306</b>	Grommet, Compressor Mounting		4
27	<b>1449410</b>	Screw, #8/32 x ½" Thread Cut		2
28	<b>1449401</b>	Screw, #8/32 x 3/8"		4
29	<b>1451845</b>	Shaft, Roller		2
30	<b>1449731</b>	Roller, Rear (Grey)		2
31	<b>1416655</b>	Pin, Mounting Compressor		4
32	<b>1448709</b>	Pan, Defrost Water		1
33	<b>1448710</b>	Drainage Conduit		1
34	<b>1452146</b>	Base Plate, Compressor		1
35	<b>Refer Item 16</b>	Part Of Item N° 16		x
36	<b>1436223</b>	Clip, Self Adhesive		2
37	<b>1435811</b>	Tape 9mm x 9mm P/Urethane		1
38	<b>240405201</b>	Mounting Rubbers, Condenser		6
39	<b>Refer Item 40</b>	Part Of Item N° 40		x
40	<b>1448409</b>	Condenser & Tails		1

***Release Date:***

**05/2008**