



ELECTROLUX HOME PRODUCTS PTY LTD
ABN 51 004 762 341

Technical Publication N° XRE141

Issue: 1
Date: 11/10

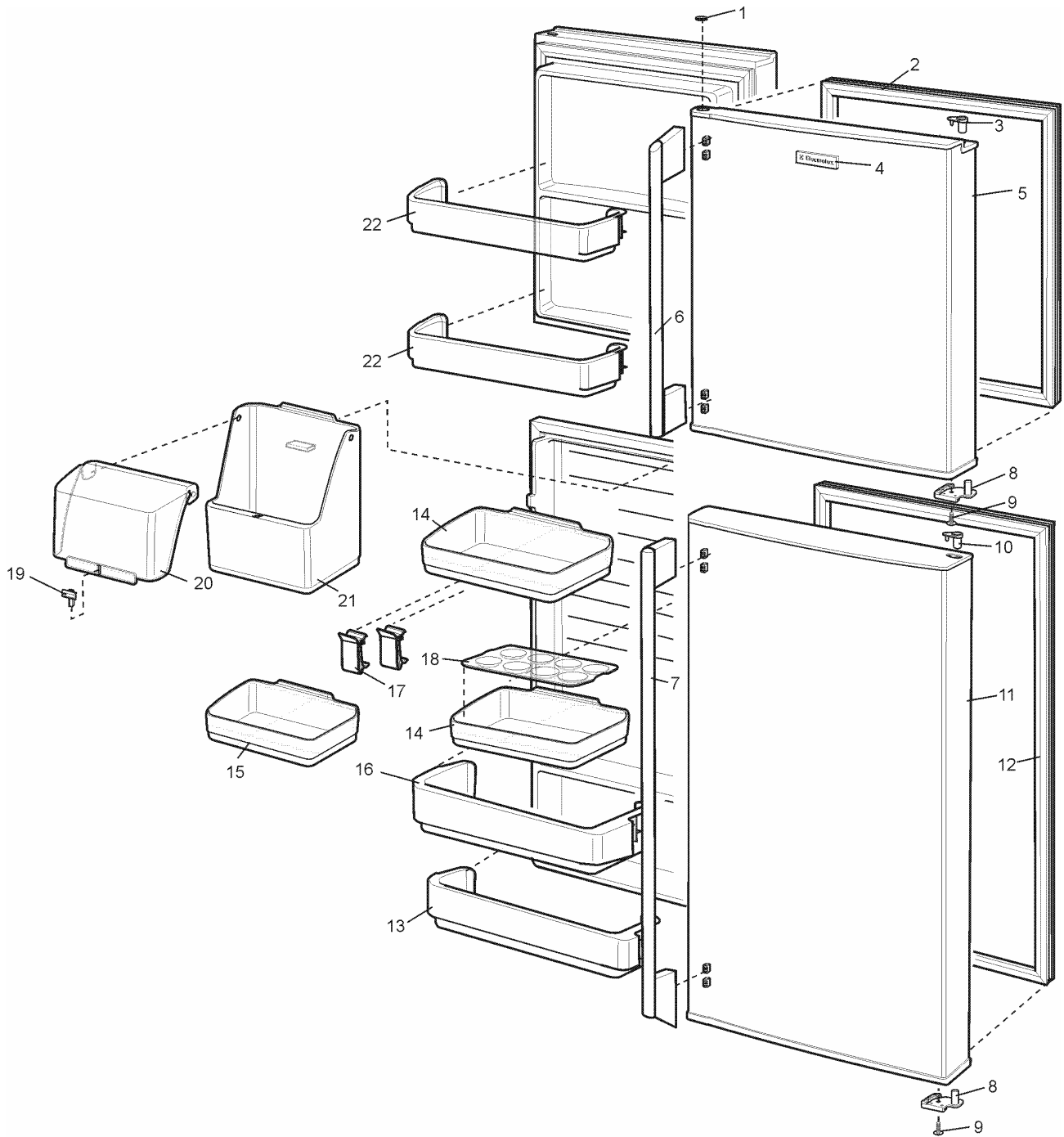
WEB SITE ADDRESS: www.partnship.com.au

ELECTROLUX
TOP MOUNT
NO FROST
REFRIGERATORS

MODELS:

ETB2900SC-RTH (STAINLESS STEEL)
(PNC 934000202)
ETB3200SC-RTH (STAINLESS STEEL)
(PNC 934000205)

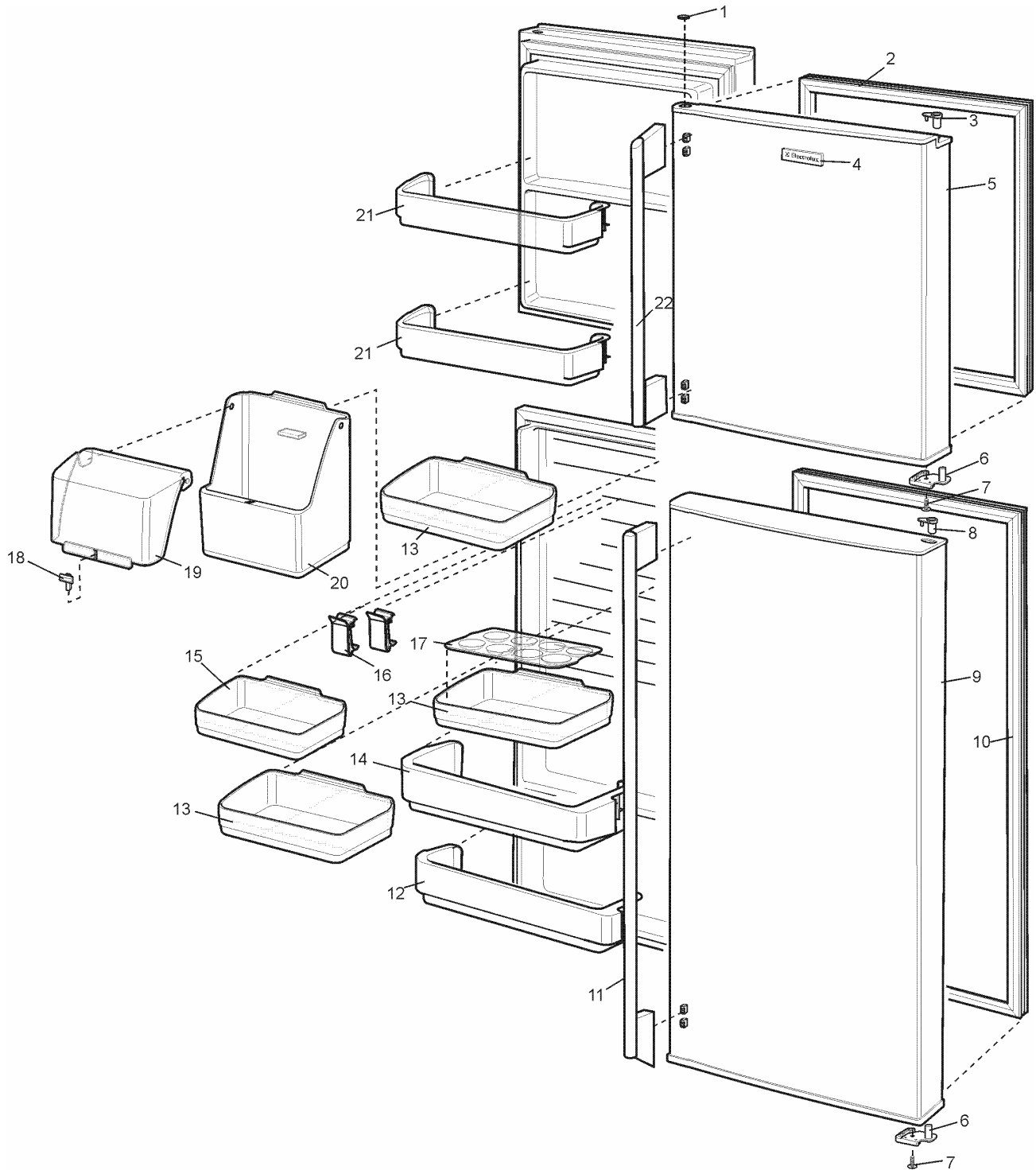
SECTION	PAGE N°
Index	2
Notes Page	3
Exploded View Door Assemblies. ETB2900SC-RTH	4 - 5
Exploded View Door Assemblies. ETB3200SC-RTH	6 - 7
Exploded View Cabinet Assy. ETB2900SC-RTH	8 - 11
Exploded View Cabinet Assy. ETB3200SC-RTH	12 - 15
Exploded View Cabinet Shelves & Bins ETB2900SC-RTH	16 - 17
Exploded View Cabinet Shelves & Bins ETB3200SC-RTH	18 - 19
Exploded View Machine Compartment Assy ETB2900SC-RTH, ETB3200SC-RTH	20 - 21
Exploded View Packing Parts ETB2900SC-RTH, ETB3200SC-RTH	22 - 23



ITEM	PART N°	DESCRIPTION	Ex. 7447	QTY
1	PCAP-A083CBFA	Bearing Cap (Grey)		1
2	FPACGA458CBZA	F-Door Packing		1
3	NBRGPA013CBFB	Nylon Bearing 2		1
4	HBDGDB010CBZA	Badge		1
5	FDORFC162CBKZ	F-Door Assy. Stainless Steel		1
6	FHND-A214CBZZ	Handle Assy. Fzr Door 290/320L		1
7	FHND-A215CBZZ	Handle Assy. Fc Door 290L		1
8	LSTPPA155CBFA	Door Stopper		2
9	*XHTS750P16000	Screw Door Stopper		2
10	NBRGPA014CBFB	Nylon Bearing 3		1
11	FDORRC302CBKZ	R-Door Assy. Stainless Steel		1
12	FPACGA459CBZA	R-Door Packing		1
13	UPOK-A213CBFA	Can Pocket		1
14	UPOK-A218CBFA	Half Pocket L		2
15	UPOK-A210CBFA	Half Pocket		1
16	UPOK-A215CBFC	Bottle Pocket		1
17	PCLI-A058CBFA	Bag Clip		2
18	UTNA-A429CBFA	Egg Tray		1
19	MLOK-A001CBFA	Deep Bin Lock		1
20	GFTA-A109CBFC	Deep Bin Lid		1
21	UYOK-A571CBFA	Deep Bin		1
22	UPOK-A214CBFC	Freezer Pocket		2
Note: “*” Part not available from manufacturer as a spare part, purchase locally.				

MODEL: ETB3200SC-RTH

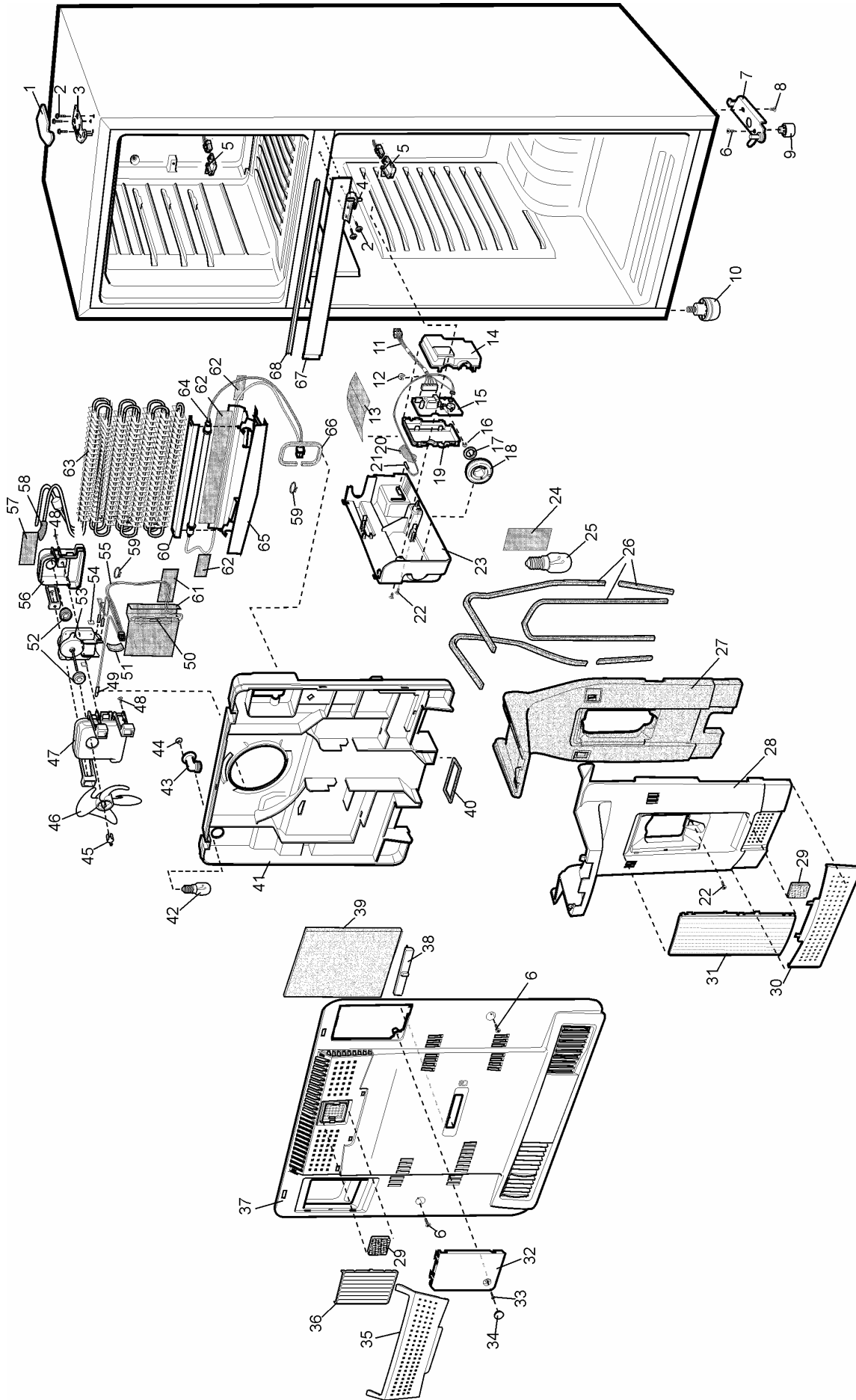
EX. VIEW DRAWING 7446
DOOR ASSEMBLIES



ITEM	PART N°	DESCRIPTION	Ex. 7446	QTY
1	PCAP-A083CBFA	Bearing Cap (Cap)		1
2	FPACGA458CBZA	F-Door Packing		1
3	NBRGPA013CBFB	Nylon Bearing 2		1
4	HBDGDB010CBZA	Badge		1
5	FDORFC162CBKZ	F-Door Assy. Stainless Steel		1
6	LSTPPA155CBFA	Door Stopper		2
7	*XHTS750P16000	Screw Door Stopper		2
8	NBRGPA014CBFB	Nylon Bearing 3		1
9	FDORRC303CBKZ	R-Door Assy. Stainless Steel		1
10	FPACGA460CBZA	R-Door Packing		1
11	FHND-A216CBZZ	Handle Assy. Fc Door 320L		1
12	UPOK-A213CBFA	Can Pocket		1
13	UPOK-A218CBFA	Half Pocket L		3
14	UPOK-A215CBFC	Bottle Pocket		1
15	UPOK-A210CBFA	Half Pocket		1
16	PCLI-A058CBFA	Bag Clip		2
17	UTNA-A429CBFA	Egg Tray		1
18	MLOK-A001CBFA	Deep Bin Lock		1
19	GFTA-A109CBFC	Deep Bin Lid		1
20	UYOK-A571CBFA	Deep Bin		1
21	UPOK-A214CBFA	Freezer Pocket		2
22	FHND-A214CBZZ	Handle Assy. Fzr Door 290/320L		1
Note: “*” Part not available from manufacturer as a spare part, purchase locally.				

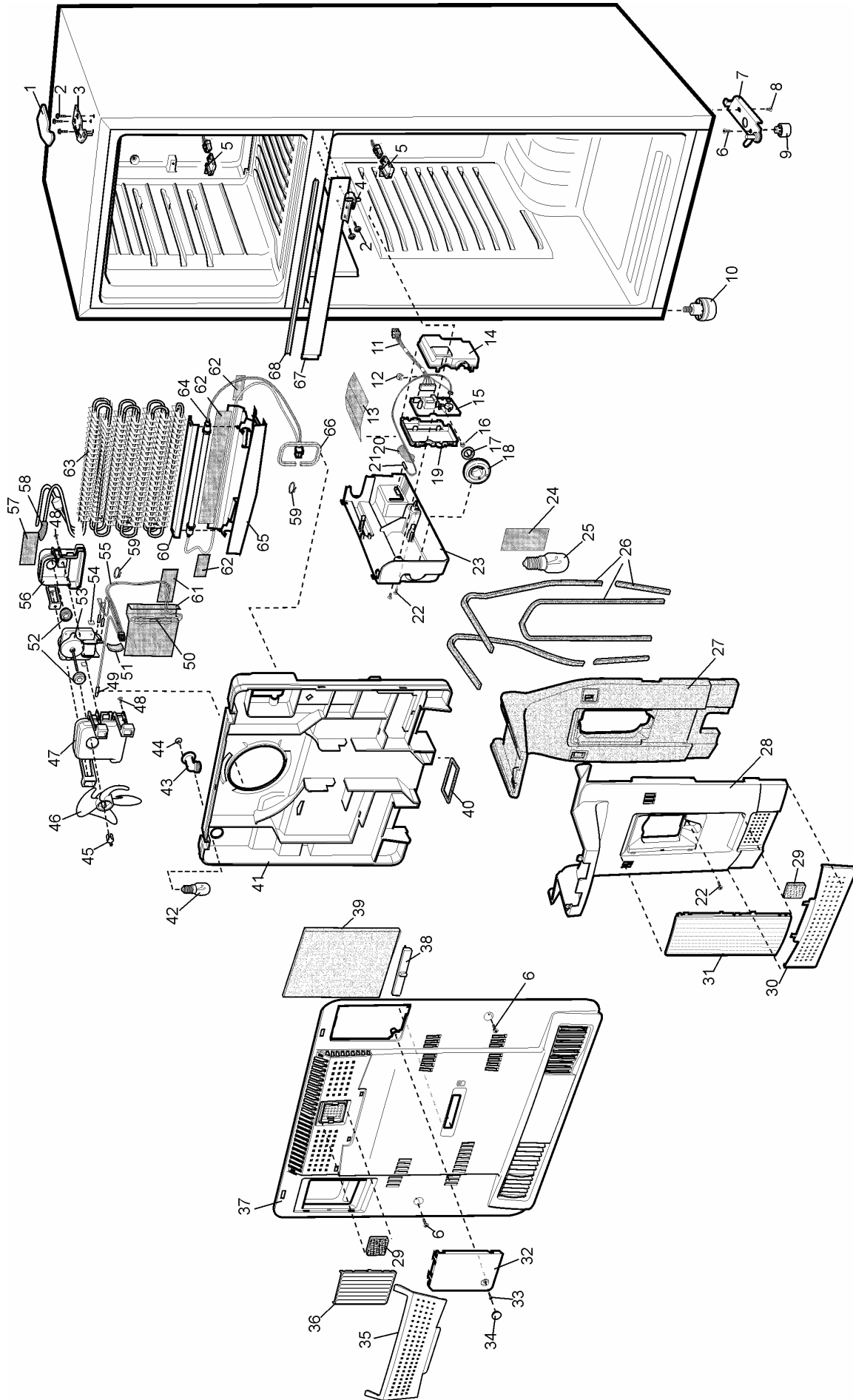
MODEL: ETB2900SC-RTH

EX. VIEW DRAWING 7468
CABINET ASSEMBLY



ITEM	PART N°	DESCRIPTION	Ex. 7468	QTY
1	GCOV-A297CBFA	Top Hinge Cover		1
2	LX-VZA022CBZZ	Screw		5
3	DHNG-A583CBMZ	Top Hinge Assy.		1
4	DHNG-A579CBMZ	Center Hinge		1
5	QSW-PA097CBZA	Door Switch		2
6	*XTTS740P16000	Screw		3
7	DHNG-A577CBMZ	Bottom Hinge Assy.		1
8	*XHTS750P12000	Screw		1
9	GLEGPA022CBFA	Leg		1
10	FAJS-A006CBFA	Adjustable Leg Assy.		1
11	FW-VZA160CBZZ	Harness RC-Box		1
12	PSEL-C697CBZZ	Lead Sealer		1
13	PSHEMA318CBZZ	R-Control Al		1
14	PCOVPA416CBFA	PWB Holder-B		1
15	FPWB-A464CBKZ	PWB Assy		1
16	PSEL-B774CBE0	U-Sealer DL		1
17	PSEL-C696CBZZ	Knob Sealer		1
18	JKNB-A074CBFA	R-Control Knob		1
19	PCOVPA415CBFA	PWB Holder-A		1
20	PKYU-A183CBEZ	Mastic R-C Box		1
21	RH-HXA097CBZZ	R-Thermistor		1
22	*XTTS740P12000	Screw		3
23	GCOVPA225CBFC	R-Cbox Cover		1
24	PSHEMA340CBZZ	Lamp Al		1
25	RLMP-A041CBZZ	Lamp 25W Blue		1
26	PSEL-C637CBZZ	A-Sealer RF-DM		1
27	PFPFPB734CBFZ	R-Louver-L Duct		1
28	HGRL-A265CBFA	R-Louver-L		1
29	PFIL-A066CBEZ	Deodorizer		2
30	HGRL-A256CBFA	R-Deo-Louver		1
31	GCOVAA049CBFB	Lamp Cover L		1
32	GCOVHA005CBFA	F-Louver Cover		1
33	*XTTS740P10000	Screw		1

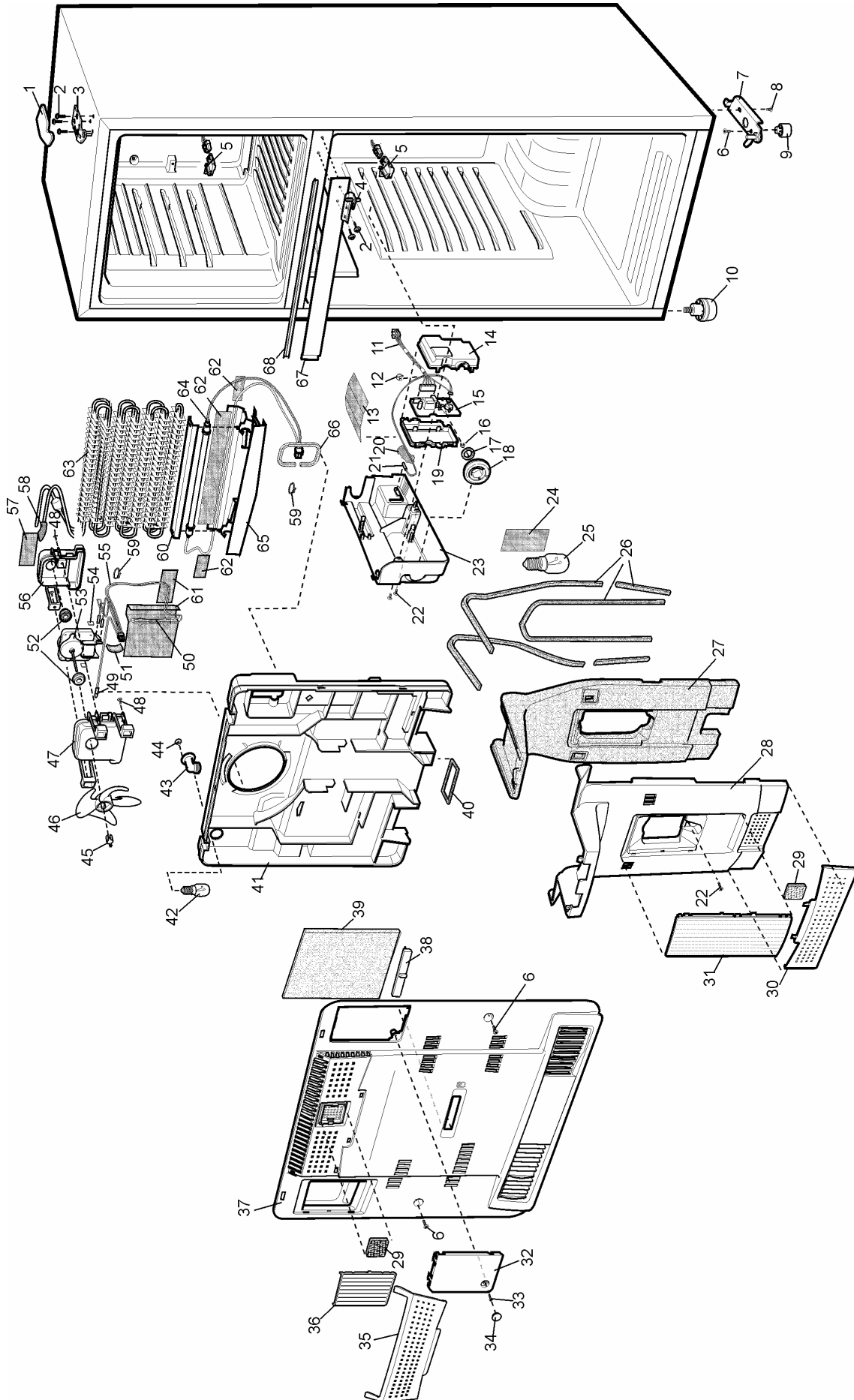
Note: “*” Part not available from manufacturer as a spare part, purchase locally.



ITEM	PART N°	DESCRIPTION	Ex. 7468A	QTY
34	PCAP-A082CBFA	Screw Cap F-Louver		1
35	HGRL-A258CBFA	F-Deo-Louver		1
36	GCOVAA050CBFA	Lamp Cover FZR		1
37	HGRL-A267CBFC	F-Louver		1
38	JKNB-A075CBFA	F-Control Knob (Baffle)		1
39	PSEL-C971CBZZ	Tape White Soft		1
40	PSEL-C692CBZZ	Ev-Sealer C		1
41	GCOV-A309CBFA	Ev-Cover		1
42	RLMP-A039CBZZ	Lamp 15W Blue		1
43	FSOCOA013CBYZ	F Lamp Socket		1
44	LX-TZA095CBMZ	Screw M4 x L6		2
45	LCRA-A022CBPZ	Fan Clamp		1
46	NFANPA011CBF0	Propeller Fan 100		1
47	LHLD-A485CBFA	Fan Motor Holder A		1
48	*XTTS740P12000	Screw		3
49	RH-HXA098CBZZ	Def-Thermistor		1
50	FFS-TA094CBKZ	Fuse Assy.		1
51	PSEL-C691CBZZ	Ev-Sealer B		1
52	LHLD-A389CBF0	Motor Cushion		2
53	RMOTRA046CBE0	Fan Motor		1
54	PSEL-B209CBE0	U-Sealer Handle		2
55	FW-VZA162CBZZ	Lead Ev Cover		1
56	LHLD-A484CBFA	Fan Motor Holder B		1
57	#ZTAPEZ39S-02K	Al Sheet (Roll) Cut to 39mm x 70mm		1
58	PKYU-A035CBE0	Sp-Butyl H		1
59	LBND-A023CBE0	L-Band C		3
60	PSHEMA309CBPZ	Heater Cover		1
61	PSHEMA310CBZZ	Ev-Cover Al		1
62	#ZTAPEZ39S-02K	Al Sheet (Roll) Cut to 39mm x 135mm		2
63	PEVA-A163CBZZ	Evaporator		1
64	FHETBA202CBZZ	Def. Heater Assy.		1
65	LPLTMA755CBPZ	Heater Support		1
66	PSEL-C690CBZZ	Ev-Sealer A		1
67	FCABCA636CBKZ	Center Plate Assy.		1
68	PSPAVA097CBZ1Z	CP Spacer		1

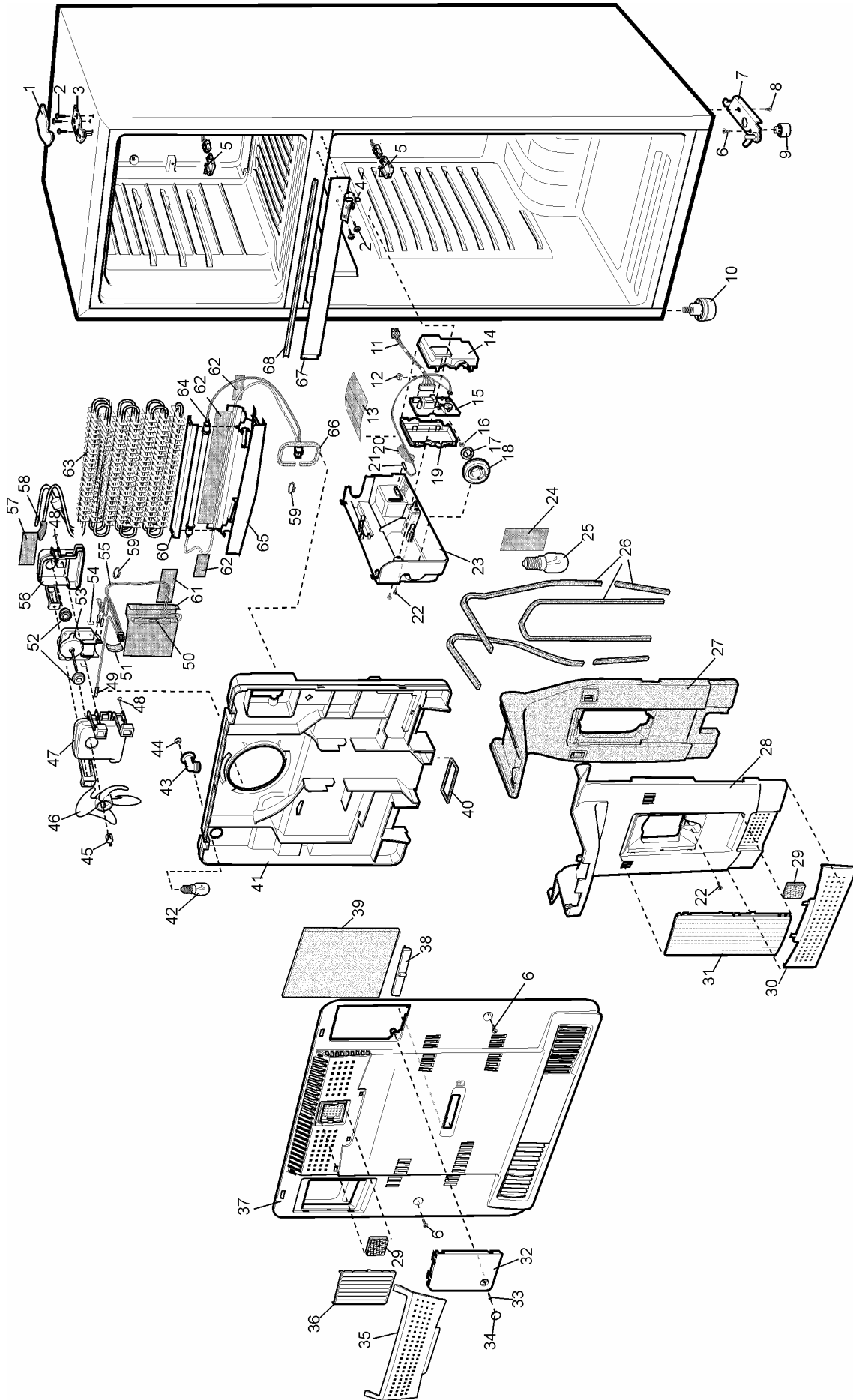
Note: “#” Item numbers 57 & 62 have not got individual part numbers, they are cut off a roll of Aluminium Sheet, part number **ZTAPEZ39S-02K**

Note: “*” Part not available from manufacturer as a spare part, purchase locally.



ITEM	PART N°	DESCRIPTION	Ex. 7469	QTY
1	GCOV-A297CBFA	Top Hinge Cover		1
2	LX-VZA022CBZZ	Screw		5
3	DHNG-A583CBMZ	Top Hinge Assy.		1
4	DHNG-A579CBMZ	Center Hinge		1
5	QSW-PA097CBZA	Door Switch		2
6	*XTTS740P16000	Screw		3
7	DHNG-A577CBMZ	Bottom Hinge Assy.		1
8	*XHTS750P12000	Screw		1
9	GLEGPA022CBFA	Leg		1
10	FAJS-A006CBFA	Adjustable Leg Assy.		1
11	FW-VZA160CBZZ	Harness RC-Box		1
12	PSEL-C697CBZZ	Lead Sealer		1
13	PSHEMA318CBZZ	R-Control Al		1
14	PCOVPA416CBFA	PWB Holder-B		1
15	FPWB-A464CBKZ	PWB Assy		1
16	PSEL-B774CBE0	U-Sealer DL		1
17	PSEL-C696CBZZ	Knob Sealer		1
18	JKNB-A074CBFA	R-Control Knob		1
19	PCOVPA415CBFA	PWB Holder-A		1
20	PKYU-A183CBEZ	Mastic R-C Box		1
21	RH-HXA097CBZZ	R-Thermistor		1
22	*XTTS740P12000	Screw		3
23	GCOVPA225CBFC	R-Cbox Cover		1
24	PSHEMA340CBZZ	Lamp Al		1
25	RLMP-A041CBZZ	Lamp 25W Blue		1
26	PSEL-C637CBZZ	A-Sealer RF-DM		1
27	PFPFB734CBFZ	R-Louver-L Duct		1
28	HGRL-A265CBFA	R-Louver-L		1
29	PFIL-A066CBEZ	Deodorizer		2
30	HGRL-A256CBFA	R-Deo-Louver		1
31	GCOVAA049CBFB	Lamp Cover L		1
32	GCOVHA005CBFA	F-Louver Cover		1
33	*XTTS740P10000	Screw		1

Note: “*” Part not available from manufacturer as a spare part, purchase locally.



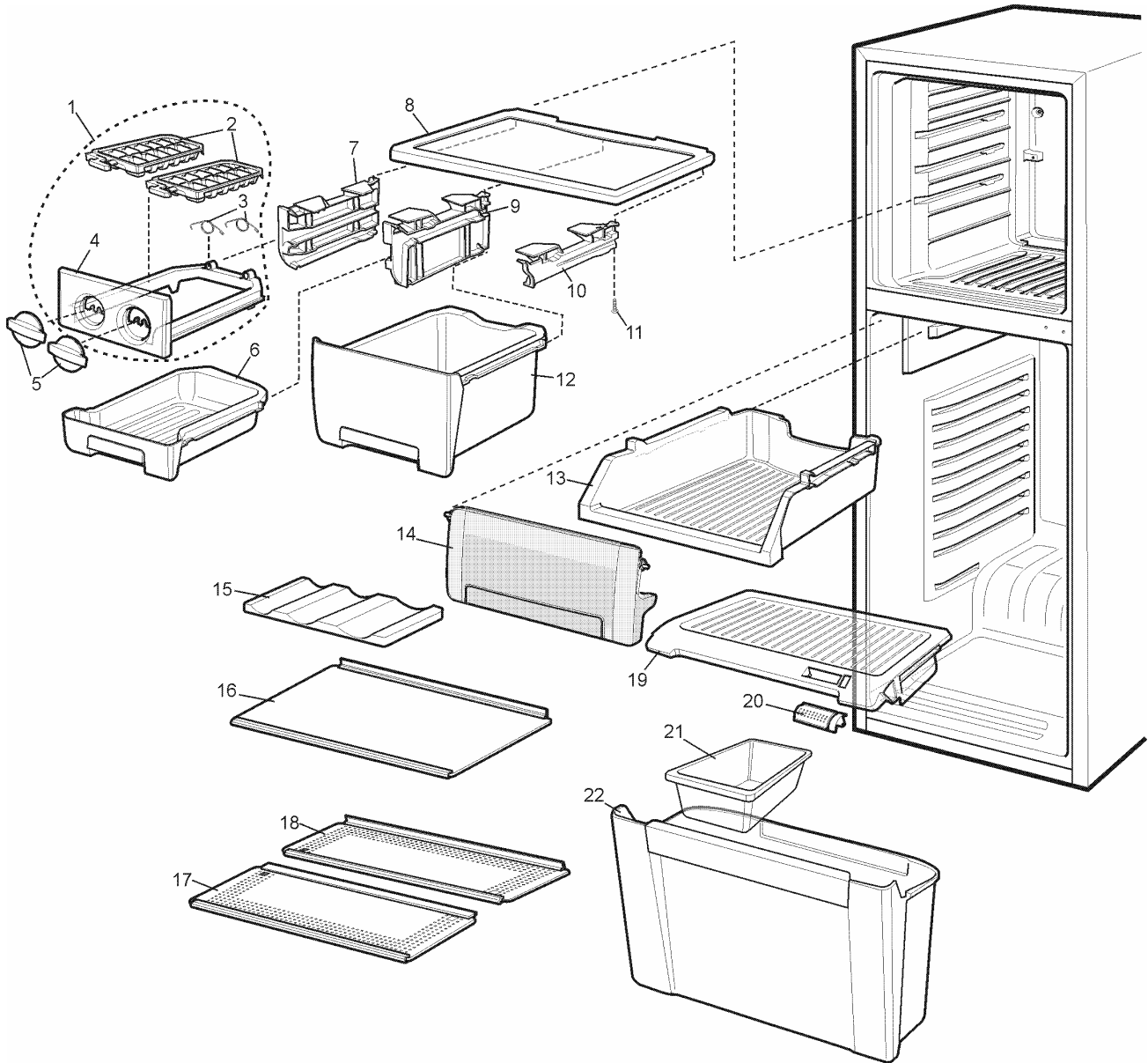
ITEM	PART N°	DESCRIPTION	Ex. 7469A	QTY
34	PCAP-A082CBFA	Screw Cap F-Louver		1
35	HGRL-A258CBFA	F-Deo-Louver		1
36	GCOVAA050CBFA	Lamp Cover FZR		1
37	HGRL-A267CBFC	F-Louver		1
38	JKNB-A075CBFA	F-Control Knob (Baffle)		1
39	PSEL-C971CBZZ	Tape White Soft		1
40	PSEL-C692CBZZ	Ev-Sealer C		1
41	GCOV-A309CBFA	Ev-Cover		1
42	RLMP-A039CBZZ	Lamp 15W Blue		1
43	FSOCOA013CBYZ	F Lamp Socket		1
44	LX-TZA095CBMZ	Screw M4 x L6		2
45	LCRA-A022CBPZ	Fan Clamp		1
46	NFANPA011CBF0	Propeller Fan 100		1
47	LHLD-A485CBFA	Fan Motor Holder A		1
48	*XTTS740P12000	Screw		3
49	RH-HXA098CBZZ	Def-Thermistor		1
50	FFS-TA094CBKZ	Fuse Assy.		1
51	PSEL-C691CBZZ	Ev-Sealer B		1
52	LHLD-A389CBF0	Motor Cushion		2
53	RMOTRA046CBE0	Fan Motor		1
54	PSEL-B209CBE0	U-Sealer Handle		2
55	FW-VZA162CBZZ	Lead Ev Cover		1
56	LHLD-A484CBFA	Fan Motor Holder B		1
57	#ZTAPEZ39S-02K	Al Sheet (Roll) Cut to 39mm x 70mm		1
58	PKYU-A035CBE0	Sp-Butyl H		1
59	LBND-A023CBE0	L-Band C		3
60	PSHEMA309CBPZ	Heater Cover		1
61	PSHEMA310CBZZ	Ev-Cover Al		1
62	#ZTAPEZ39S-02K	Al Sheet (Roll) Cut to 39mm x 135mm		2
63	PEVA-A163CBZZ	Evaporator		1
64	FHETBA202CBZZ	Def. Heater Assy.		1
65	LPLTMA755CBPZ	Heater Support		1
66	PSEL-C690CBZZ	Ev-Sealer A		1
67	FCABCA636CBKZ	Center Plate Assy.		1
68	PSPAVA097CBZ1Z	CP Spacer		1

Note: “#” Item numbers 57 & 62 have not got individual part numbers, they are cut off a roll of Aluminium Sheet, part number **ZTAPEZ39S-02K**

Note: “*” Part not available from manufacturer as a spare part, purchase locally.

MODEL: ETB2900SC-RTH

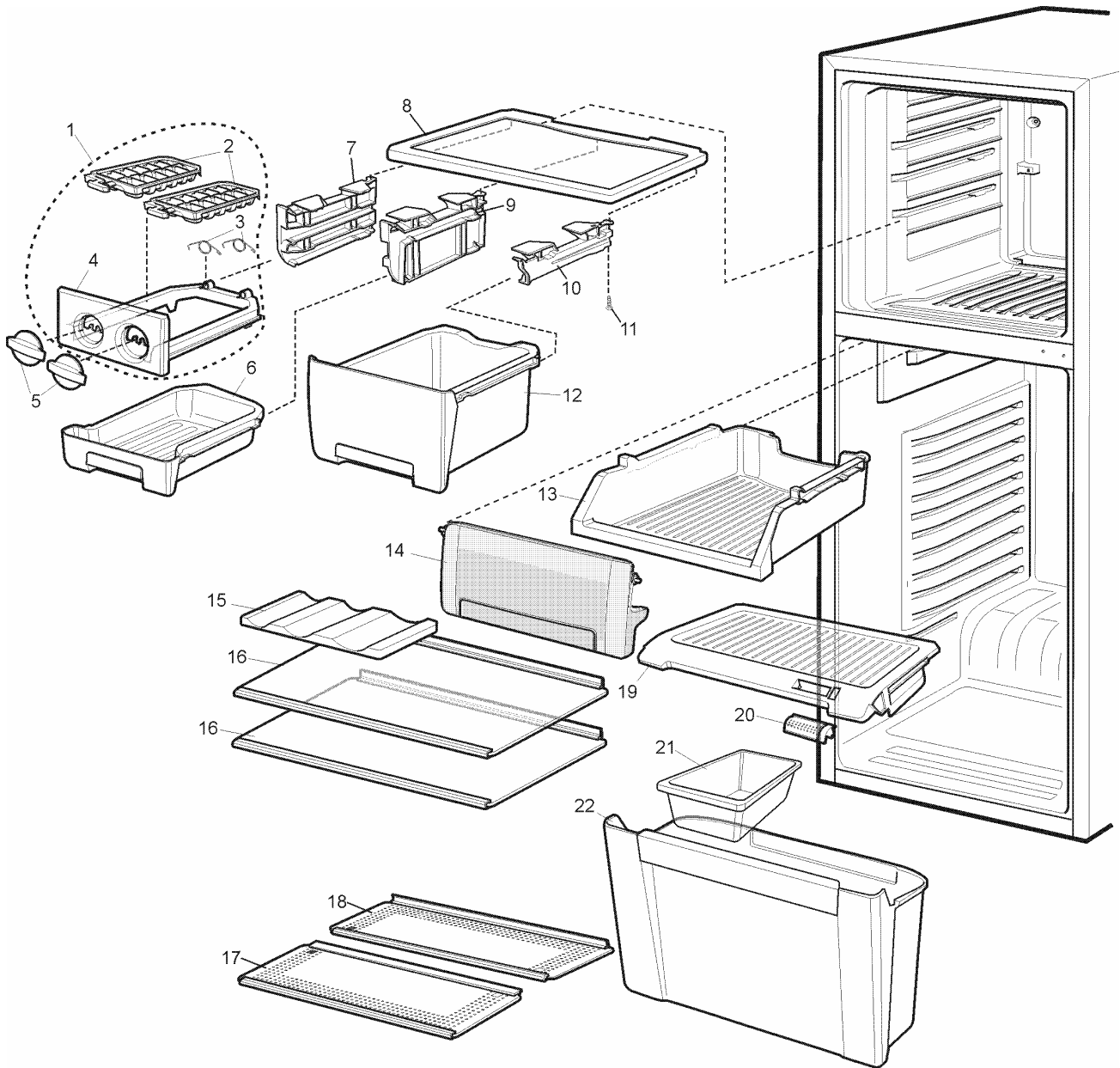
EX. VIEW DRAWING 7454
CABINET SHELVES & BINS
ASSEMBLY



ITEM	PART N°	DESCRIPTION Ex. 7454	QTY
1	FSRA-A267CBKZ	Ice Cube Maker Assy.	1
2	USRA-A308CBFA	Ice Cube Tray (Refer N° 1)	2
3	MSPR-A061CBW0	Ice Cube Tray Spring (Refer N° 1)	2
4	LFRM-A394CBFA	Ice Tray Holder (Refer N° 1)	1
5	JKNB-A076CBFA	Ice Cube Knob	2
6	UYOK-A541CBFA	Ice Cube Box	1
7	LRALPA158CBFA	F-Shelf-Rail L	1
8	FTNA-A460CBKZ	G Guard F Assy	1
9	LRALPA159CBFA	F-Shelf-Rail C	1
10	LRALPA160CBFA	F-Shelf-Rail R	1
11	XHRS74DP10000	Screw Freezer Shelf	3
12	UYOK-A573CBFC	Freezer Case	1
13	UYOK-A572CBFA	Fresh Case	1
14	GDORPA082CBFC	Fresh Door	1
15	UTNA-A438CBFA	Bottle Holder	1
16	FTNA-A550CBKZ	R Shelf Assy.	1
17	FTNA-A435CBKZ	Split Shelf Front	1
18	FTNA-A436CBKZ	Split Shelf Rear	1
19	FTNA-A443CBFC	V-Shelf	1
20	JKNB-A077CBFA	Humidity Knob	1
21	UYOK-A575CBFA	Delicates T Bin	1
22	UYOK-A574CBFA	Vegetable Case	1

MODEL: ETB3200SC-RTH

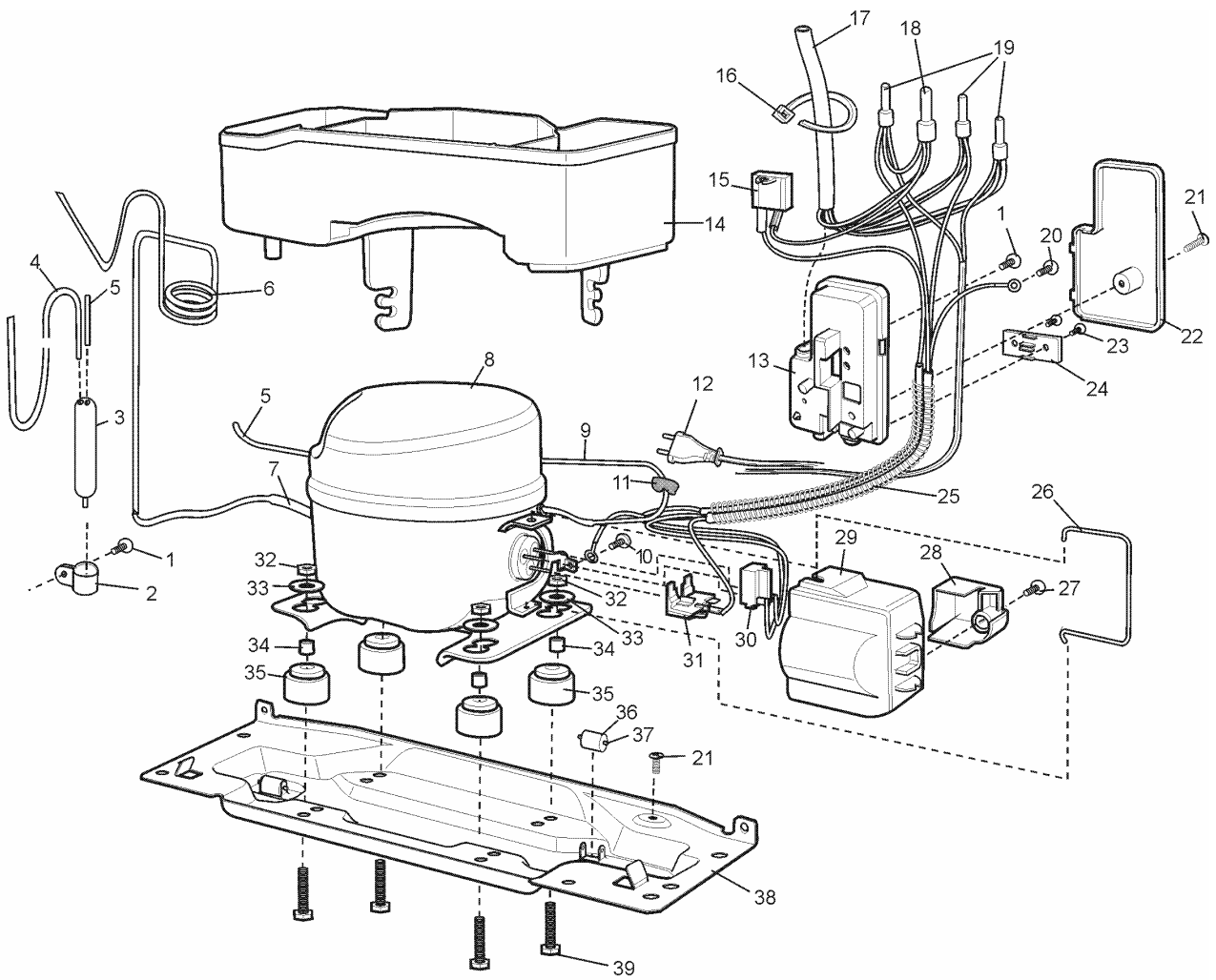
EX. VIEW DRAWING 7453
CABINET SHELVES & BINS
ASSEMBLY



ITEM	PART N°	DESCRIPTION Ex. 7453	QTY
1	FSRA-A267CBKZ	Ice Cube Maker Assy.	1
2	USRA-A308CBFA	Ice Cube Tray (Refer N° 1)	2
3	MSPR-A061CBW0	Ice Cube Tray Spring (Refer N° 1)	2
4	LFRM-A394CBFA	Ice Tray Holder (Refer N° 1)	1
5	JKNB-A076CBFA	Ice Cube Knob	2
6	UYOK-A541CBFA	Ice Cube Box	1
7	LRALPA158CBFA	F-Shelf-Rail L	1
8	FTNA-A460CBKZ	G Guard F Assy	1
9	LRALPA159CBFA	F-Shelf-Rail C	1
10	LRALPA160CBFA	F-Shelf-Rail R	1
11	XHRS74DP10000	Screw Freezer Shelf	3
12	UYOK-A573CBFC	Freezer Case	1
13	UYOK-A572CBFA	Fresh Case	1
14	GDORPA082CBFC	Fresh Door	1
15	UTNA-A438CBFA	Bottle Holder	1
16	FTNA-A550CBKZ	R Shelf Assy.	2
17	FTNA-A435CBKZ	Split Shelf Front	1
18	FTNA-A436CBKZ	Split Shelf Rear	1
19	FTNA-A443CBFC	V-Shelf	1
20	JKNB-A077CBFA	Humidity Knob	1
21	UYOK-A575CBFA	Delicates T Bin	1
22	UYOK-A574CBFA	Vegetable Case	1

MODELS: ETB2900SC-RTH, ETB3200SC-RTH

EX. VIEW DRAWING 7488
MACHINE COMPARTMENT
ASSEMBLY

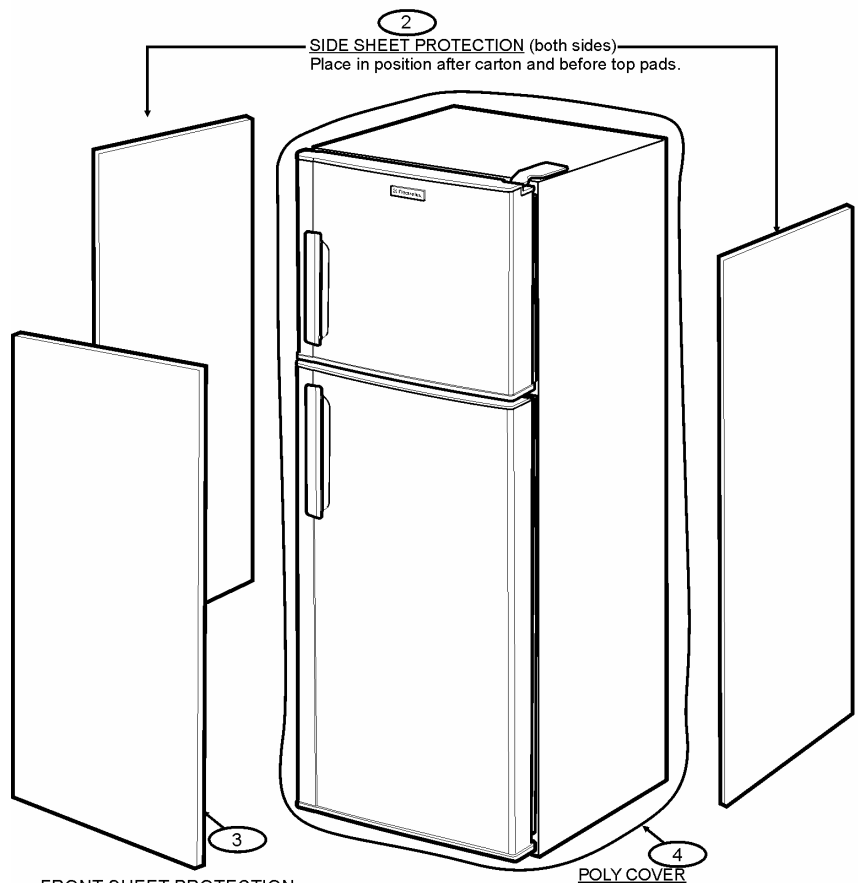
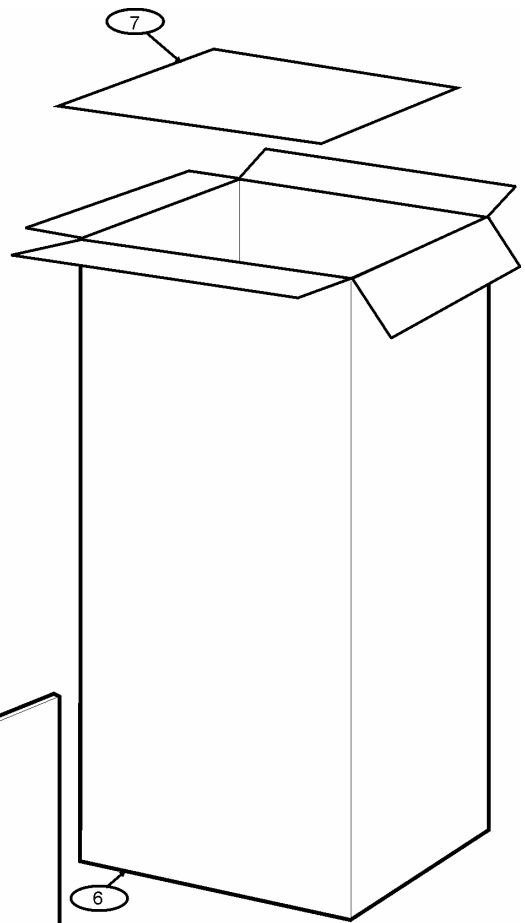
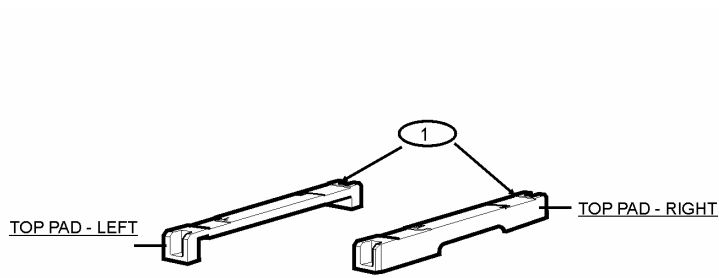


ITEM	PART N°	DESCRIPTION Ex. 7488	QTY
1	LX-BZA090CBZZ	Special Screw	4
2	LPLTMA399CBP0	Dryer Support	1
3	FDRY-A008CBK0	Dryer	1
4	PPIPCA551CBZZ	Drier Connector	1
5	PPIPCA252CBE0	Charge Pipe	2
6	PPIPCA605CBZZ	Eva Pan Pipe	1
7	PPIPCA585CBEZ	Discharge P Connector	1
8	FCMPLA279CBKZ	Compressor (Hitachi FL1257-SW)	1
9	PPIPCA549CBEZ	S.P Connector	1
10	LX-BZA107CBZZ	Earth Screw	1
11	PKYU-A183CBEZ	Suction Butyl	1
12	QACC-A185CBZZ	Source Cord	1
13	PBOX-A084CBFA	Terminal Box (Black)	1
14	USRA-A319CBFA	Evaporating Pan	1
15	RC-EZA249CBZZ	Capacitor 4uf 400VAC	1
16	LBND-A018CBE0	Fastening Band a	1
17	QCNW-B021CBZZ	Relay Wire Assy.	1
18	QTAN-A013CBE0	Solderless Term. A	1
19	QTAN-A012CBE0	Solderless Term. B	3
20	LX-CZA030WRE0	Earth Screw	2
21	*XTTS740P25000	Screw Terminal Cover	1
22	PCOVPA184CBFA	Terminal Cover (Black)	1
23	*XTTS740P12000	Screw T-Box Holder	2
24	LHLD-A359CBFA	T-Box Holder	1
25	MSPR-A085CBE0	Protection Spring	1
26	PCLI-A055CBEZ	Clip	1
27	LX-CZA017CBZZ	Cord Clip Screw	1
28	LHLD-A781CBEZ	Cord Clip	1
29	PCOVPA418CBEZ	Protector Cover	1
30	RSTT-A195CBZZ	Starting Relay	1
31	RHOG-A196CBZZ	Protector	1
32	LX-NZA019CBMZ	Nut	4
33	LX-WZA035CBZZ	Washer	4
34	PSPAFA031CBE0	Sleeve	4
35	PSPAGA039CBE0	Rubber Grommet	4
36	NKOM-A014CBF0	Caster	2
37	NSFT-A008CBM0	Shaft S	2
38	FFRM-A150CBKZ	Base frame Assy (Includes Items 36 & 37)	1
39	LX-BZA088CBMZ	Bolt	4

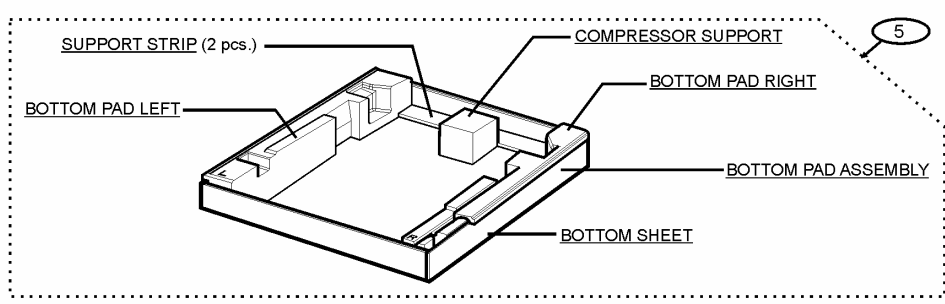
Note: “*” Part not available from manufacturer as a spare part, purchase locally.

MODELS: ETB2900SC-RTH, ETB3200SC-RTH

EX. VIEW DRAWING R1541
PACKING PARTS



FRONT SHEET PROTECTION
Place in position after carton and before top pads.



ITEM	PART N°	DESCRIPTION Ex. R1541	290	320
1	CPADBA104CBKZ	Top Pad Assembly	1	1
2	SPADBA395CBZZ	Side Sheet Protection	2	2
3	SPADBA533CBFZ	Front EPS Protection	1	1
4	SSAKHA031CBZZ	Poly Cover	1	
	SSAKHA032CBZZ	Poly Cover		1
5	CPADBA165CBKZ	Bottom Pad Assembly	1	1
6	SPAKCA332CBZZ	Packing Case	1	
	SPAKCA333CBZZ	Packing Case		1
7	SPADBA550CBZZ	Top Sheet	1	1

Release Dates:

ETB2900SC-RTH	01/02/2010
ETB3200SC-RTH	01/02/2010