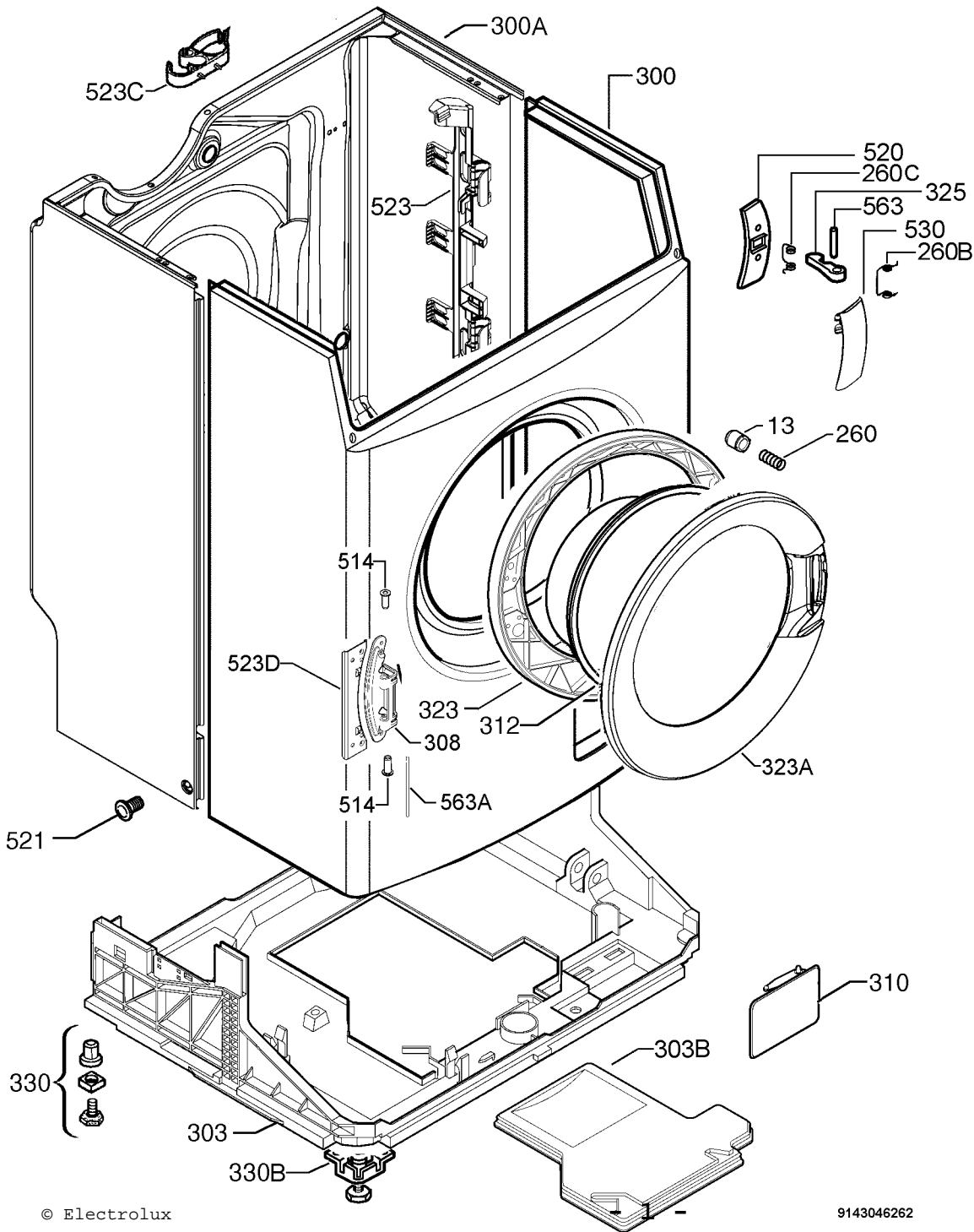


PNC	ELC	Brand	Model	Market
914900154	00	Electrolux	EWF8576	ID - VN

Electrolux Italia S.p.A.
Corso Lino Zanussi 30
I - 33080 Porcia
Italy
Fax +39 (0)434 394096

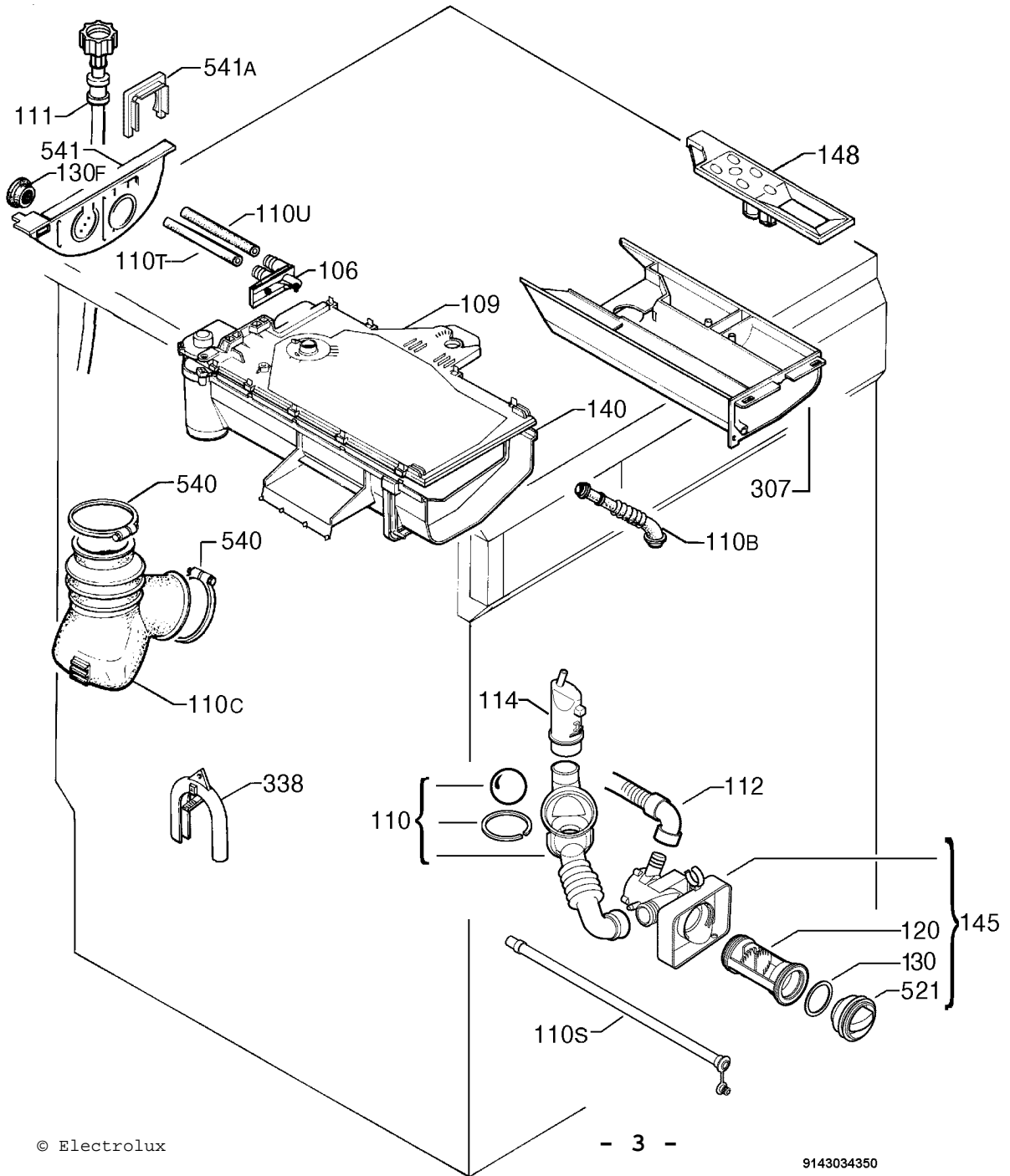
Publication-No.
599711050
2008/08/21
THR

Washing machines,
front-loaded



Matrix	PNC	ELC	ProdDate	Model
A	914900154	00	20080627	EWF8576

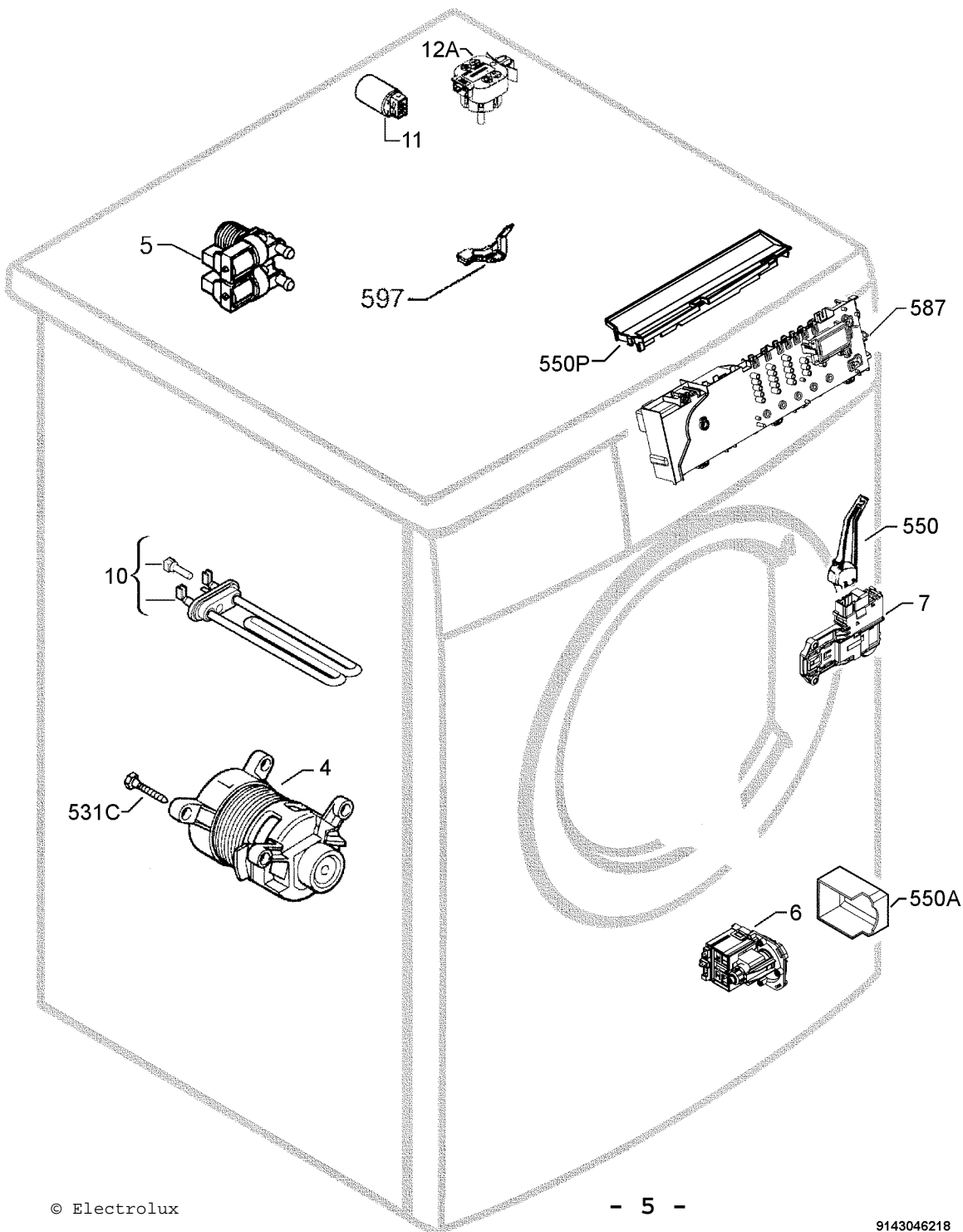
Pos	Part No.	Matrix	Description
013	1320163007	A	Push button,safety,porthole
260	1240673135	A	Spring,safety,porthole
260B	1245370000	A	Spring,handle,porthole
260C	1240139129	A	Spring,Catch,BD/NEAT
300	1471833101	A	Front panel,front
300A	1471019008	A	Cabinet,back
303	1245812449	A	Basement,P62S/RIM
303B	1322200021	A	Cap,basement
308	1325023107	A	Hinge,porthole,HEC ENV06
310	1321060004	A	Sieve flap,white,RIM
312	3792052007	A	Glass,porthole,RIM
323	1325184016	A	Frame,back,porthole
323A	1325183117	A	Frame,front,porthole
325	1240137206	A	Catch,porthole
330	1321364018	A	Assembly,foot,bush,20mm
330B	1245264203	A	Assembly,foot,front,30mm
514	1320026006	A	Hinge bushing
520	1321468009	A	Flange,Catch,porthole
521	1246445009	A	Bung,cabinet,white
523	1246586224	A	Support,hoses,harness,FUN/RIM
523C	1245320005	A	Bracket,hoses,Back panel
523C	1320727041	A	Tube holder,rear panel,"OV"
523D	1325022000	A	Stiffening,hinge,porthole
530	1325185013	A	Handle,porthole
563	1240138105	A	Bolt,Catch,porthole
563A	1108255009	A	Hinge pin
999	1320792029	A	Stiffening,Frame,porthole,OBLO' / SENSA
999	1471435105	A	User manual



Exploded view no.: P09143034350
P09143046268

Matrix	PNC	ELC	ProdDate	Model
A	914900154	00	20080627	EWF8576

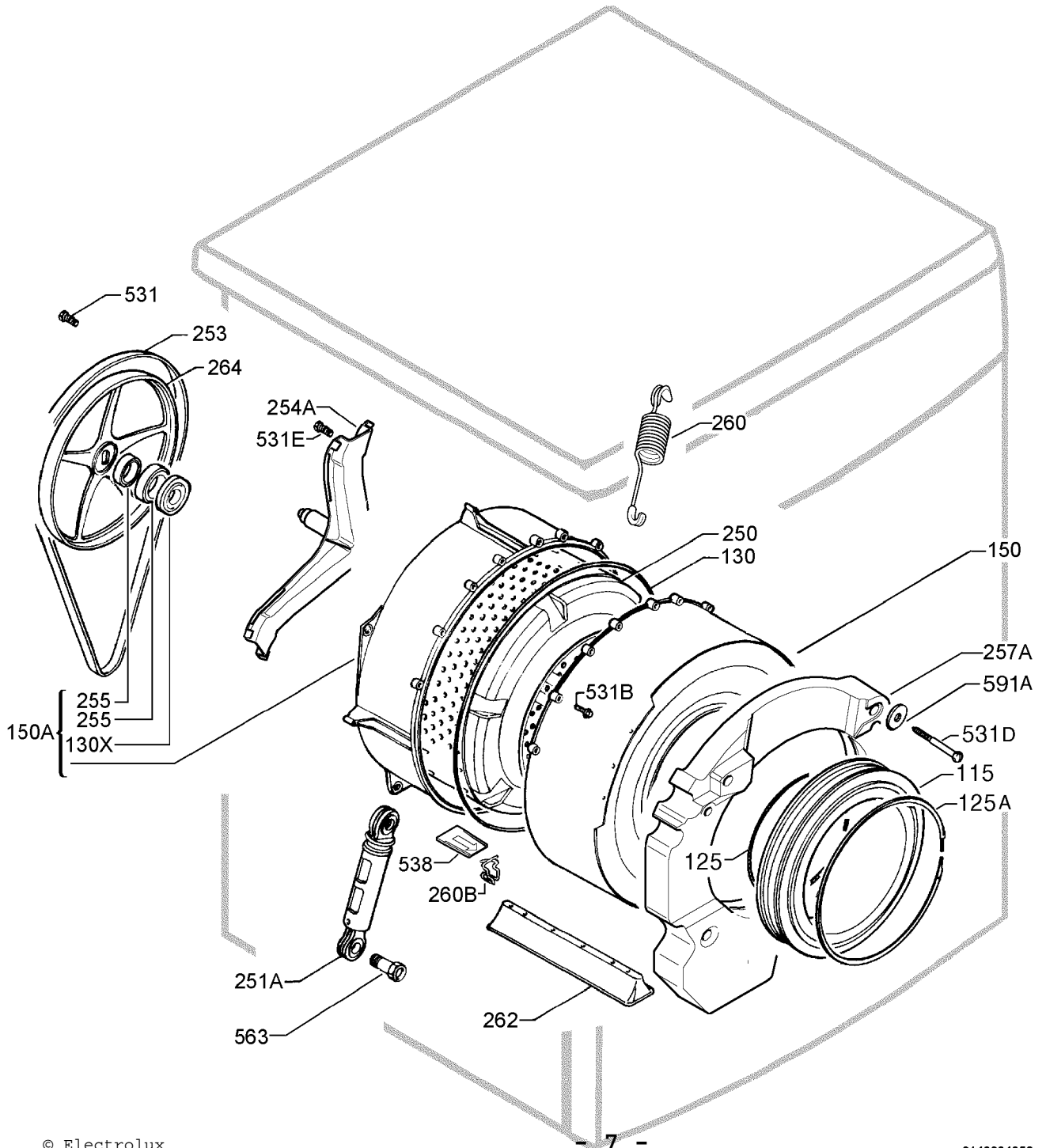
Pos	Part No.	Matrix	Description
106	1249470103	A	Connector,2-ways,3 SCOMP.
109	1240146272	A	Assembly,conveyor,water
110	1320721044	A	Assembly,discharge hose,OV
110B	1471630101	A	Assembly,tube,vapour outlet
110C	1108504000	A	Inlet hose,water inlet compartment,tub,G21/G22
110S	1320365040	A	Pipe,water drain,filter,NEAT/OV/RIM
110T	1247342718	A	Hose,electric valve,Container cup,D=10 L=125
110U	1249474212	A	Hose,solenoid valve,Container cup,D=12 L=125 EWM
111	1245078454	A	Water tube inlet
112	1240881704	A	Discharge hose,L=2370
114	1243071105	A	Bell,air,1-way
120	1320713116	A	Sieve
130	1320712001	A	Seal,filter,coarse strainer
130F	1240151009	A	Sealing
140	1248272260	A	Dispenser,detergent,NEAT RIM
145	1320715269	A	Assembly,body,Pump,TR. RIM
148	1246136129	A	Syphon,additives,3 scomparti UK
307	1246103111	A	Detergent drawer,3 scomparti UK
338	1242916003	A	End piece,drain hose
521	1320711003	A	Handle plug,filter,RIM TRAD.
540	1240060002	A	Hose clamp,D=64
541	1246086217	A	Cable clamp,Back panel,1EV EWM+P61
541A	1247341033	A	Holder,solenoid
999	1051174801	A	Hose clamp,50,6-53,2 mm



Matrix	PNC	ELC	ProdDate	Model
A	914900154	00	20080627	EWF8576

Pos	Part No.	Matrix	Description
004	1242139218	A	Commutator motor,1150RPM SOLE
005	1324416005	A	Electric valve,2vie WM EV06
006	1323239002	A	Drain pump
007	1240349017	A	Door lock
010	1325064101	A	Heating element,+NTC 24/19 IRCA
011	1240343622	A	Interference suppressor,10A PROCOND
012A	1325162038	A	Analogic pressure switch,ELBI
531C	1240222016	A	Fixing screw,motor,counterweight
550	1321444208	A	Protection,door safety interlock
550A	1321176016	A	Cover,drain pump,circulation,"OV"
550P	1325093019	A	Protection,connector
587	97391490018500	A	Pcb,configured,EWM1100
597	1240062008	A	Stopper,Capacitor,cable
999	1240834042	A	Hose set,pressure,tub
999	1325222006	A	Harness,earth
999	1471378404	A	Power cable

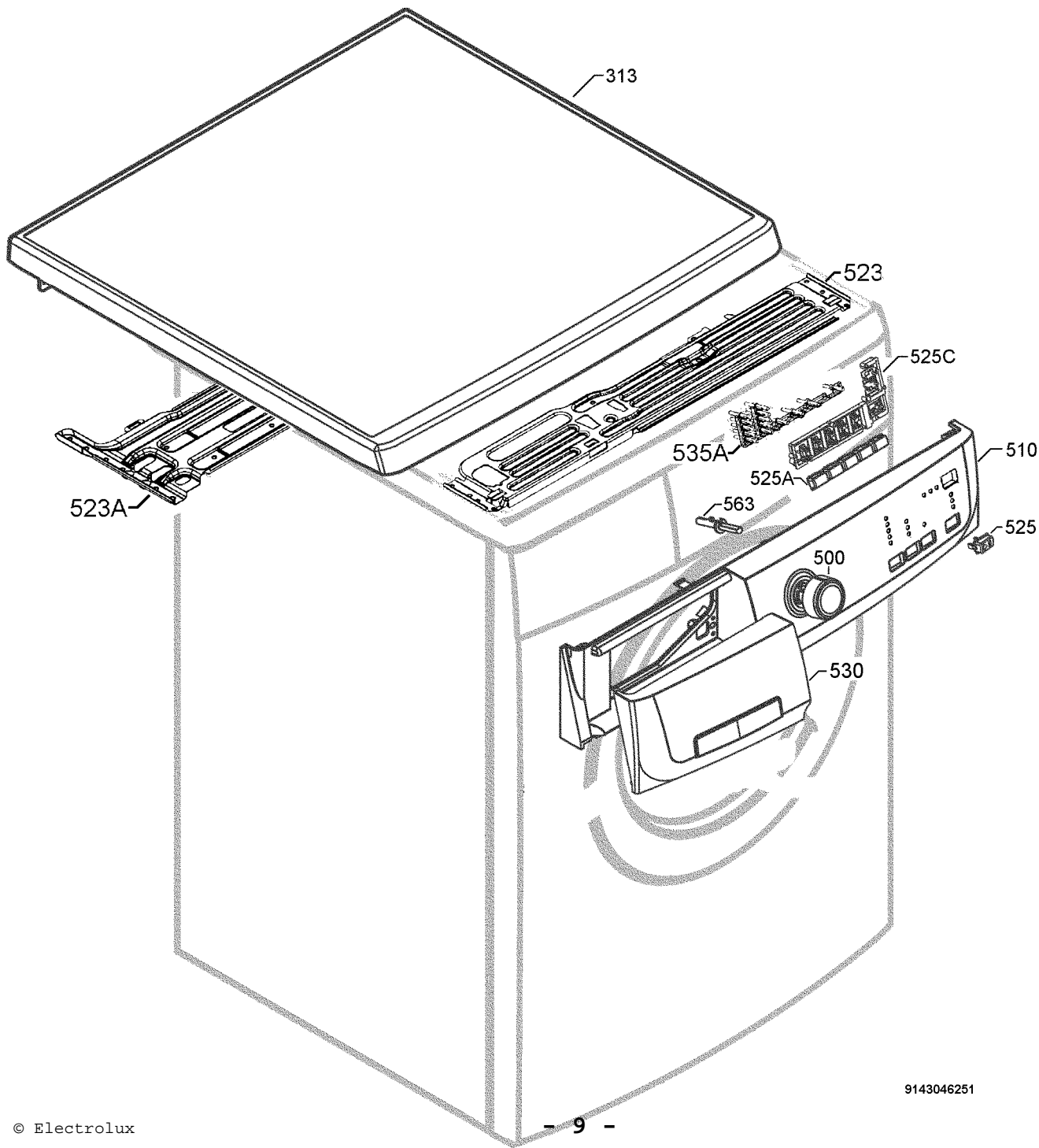
FOR WELDED WASHING GROUP SEE S.B. 599 38 05-28
 FÜR DIE GESCHWEISSTE WASCHGRUPPE SIEHE S.B. 599 38 05-28
 POUR CE QUI CONCERNE LE GROUPE SOUDÉ VOIR LE S.B. 599 38 05-28
 PER IL GRUPPO SALDATO VEDERE S.B. 599 38 05-28



Exploded view no.: P09143034352
P09143046270

Matrix	PNC	ELC	ProdDate	Model
A	914900154	00	20080627	EWF8576

Pos	Part No.	Matrix	Description
115	1320041906	A	Rubber bellow,RIM
125	1320024001	A	Fixing spring,rubber bellow,tub,BD
125A	1320552001	A	Connection ring,rubber bellow,cabinet,BD
130	1240159036	A	Gasket,shell,tub
130X	1249685007	A	Seal,drum shaft,35-62
150	1108580018	A	Shell,front,tub
150A	1471686004	A	Assembly,shell,back
250	1471683001	A	Assembly,drum
251A	1322553015	A	Cushion
253	1323531309	A	Drive belt,1184J6
254A	1471635001	A	Assembly,Spider,drum
255	3790800209	A	Bearing,30x62x16
255	50269558008	A	Bearing,25x52x15
257A	3794200208	A	Counterweight,front,16.5KG
260	1322533108	A	Spring,suspension,tub,ROSSO
260B	1247825100	A	Retaining spring,heater
262	50249701009	A	Kit,drum lifter,screw
264	1108614205	A	Pulley,G22/85
531	5191350270	A	Screw,pulley,M10x25 AF TSP
531B	1322290014	A	Screw,shell,tub
531D	1245717010	A	Screw,counterweight,8X59 TSP/TORX
531E	1240220010	A	Screw,bearing spider
538	1246669129	A	Space compensator,heater element
563	1240041218	A	Bolt,damper lining
591A	1242122115	A	Plain washer,counterweight,front,(21,7x29)



Exploded view no.: P09143046251
P09143046271

Matrix	PNC	ELC	ProdDate	Model
A	914900154	00	20080627	EWF8576

Pos	Part No.	Matrix	Description
313	1325179206	A	Work top,ENV06
500	1471845006	A	Knob,selector,programmes
510	1471836203	A	Control panel,silkscreened
523	1325457032	A	Controls support
523A	1471281004	A	Crossbar,suspension,tub
525	1325085023	A	Push button,start,pause
525A	1325086302	A	Push button,function,TC5/6
525C	1325091005	A	Support,Push button,TC2/3/4/5/6
530	1471838209	A	Handle,cassette,silkscreened
535A	1325090312	A	Diffuser,luminous diode,TC5-TC6
563	1321096016	A	Pin,Programme selector,EWM1000

EWM 1100

